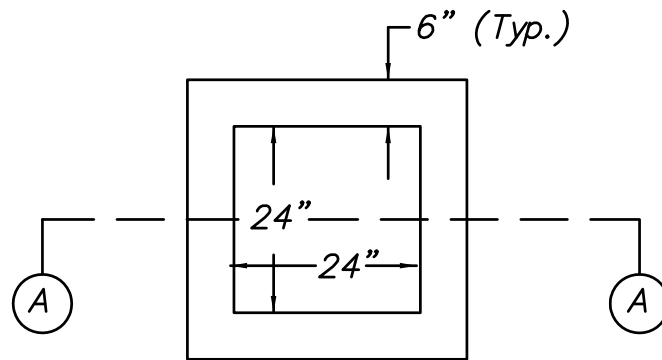
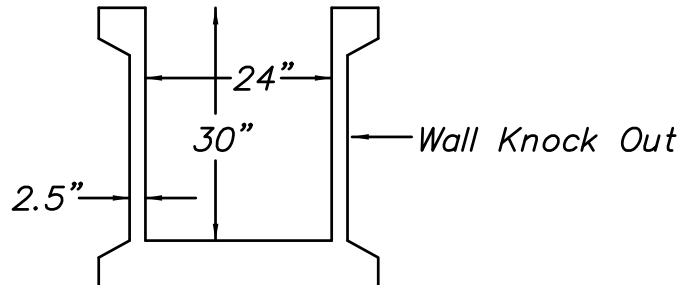


# FOSTER SUPPLY, INC.

4847 Teays Valley Rd.  
Scott Depot, WV 25560  
Phone: 304.755.8241  
Fax: 304.755.8280



PLAN



SECTION A-A

*Please Review the proposed drawing for approval.  
At the completion of review, initial approved  
or add comments for revisions.*

Initial

Date