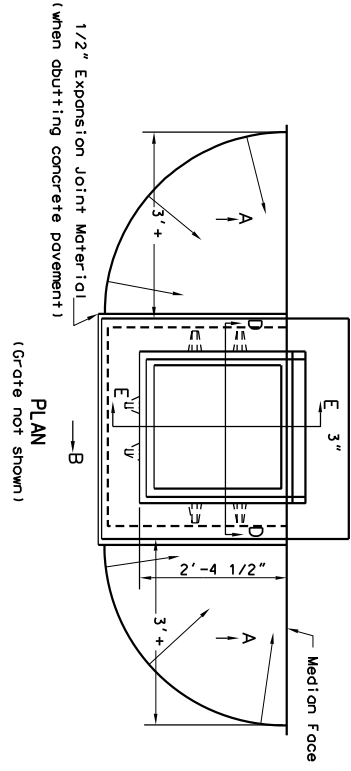
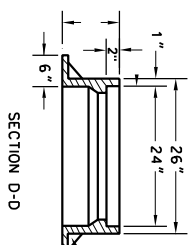


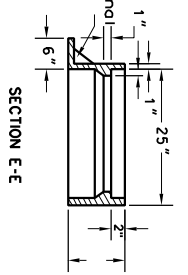
→ B



PLAN
(Grate not shown)

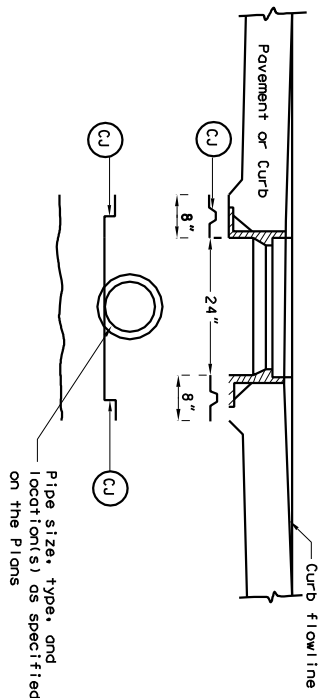


SECTION D-D



SECTION E-E

DETAIL OF FRAME



Pipe size, type, and location(s) as specified on the Plans

NOTES