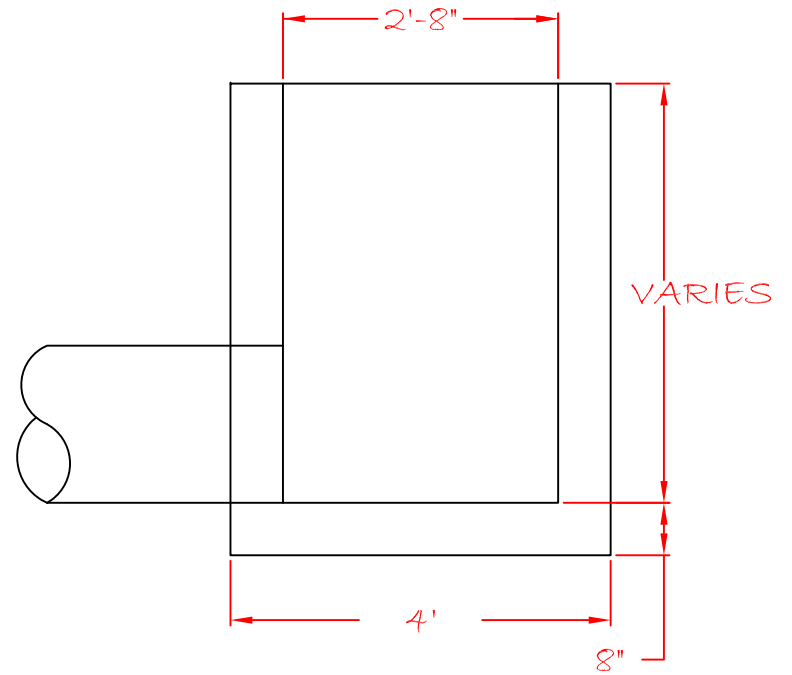


PLAN



SECTION A-A

ASTM C-478

# FOSTER SUPPLY

MOUNT CLARE, WV    SCOTT DEPOT, WV    HARRODSBURG, KY

(304)326-0195

(304)755-8241

(877)534-9696

# TYPE "E" INLET

\_\_\_ APPROVED AS SUBMITTED

SIGN \_\_\_\_\_