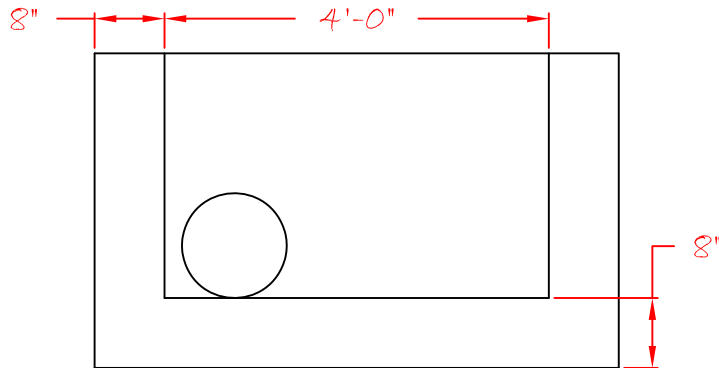


SECTION B-B

PLAN



SECTION A-A

ASTM C-478

**FOSTER SUPPLY**

MOUNT CLARE, WV    SCOTT DEPOT, WV    HARRODSBURG, KY

(304)326-0195

(304)755-8241

(877)534-9696

**TYPE "D" INLET**

\_\_\_ APPROVED AS SUBMITTED

SIGN \_\_\_\_\_