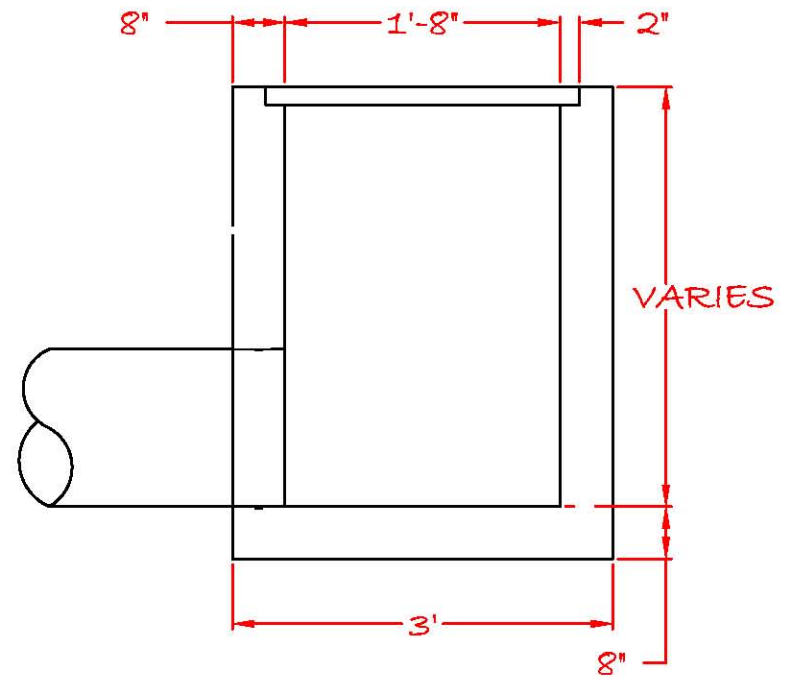
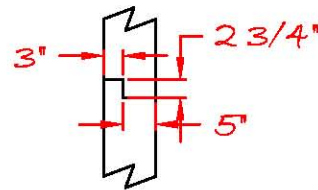


PLAN



SECTION A-A



JOINT DETAIL

ASTM C-478

FOSTER SUPPLY

MOUNT CLARE, WV SCOTT DEPOT, WV HARRODSBURG, KY

(304)326-0195

(304)755-8241

(877)534-9696

TYPE "B" INLET

___ APPROVED AS SUBMITTED

SIGN _____