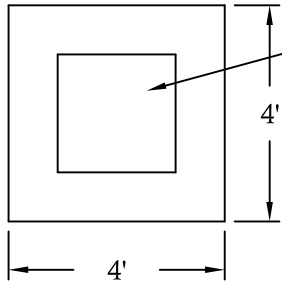
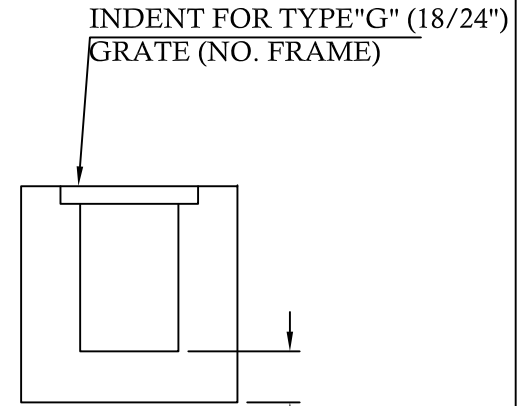


SALESMAN \_\_\_\_\_



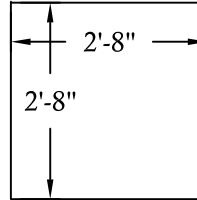
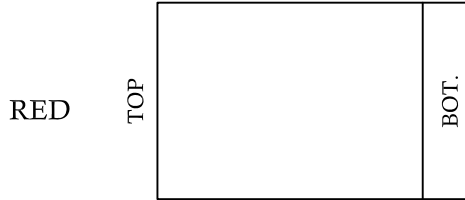
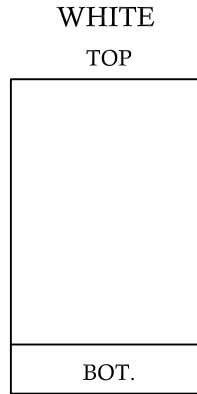
TOP PLAN VIEW

GRATE DIRECTION  
TYPE \_\_\_ GRATE



SIDE VIEW

NOTE: ALL CONCRETE MEETS  
WVDOH CLASS B+1



NOTE: LIFTING DEVICE TO BE PLACED ON THE BLUE AND WHITE SIDE.

SET UP BY: \_\_\_\_\_

SHIP DATE REQ'D: \_\_\_\_\_

INLET SHOP DRAWING				
	OUT	IN-#1	IN-#2	IN-#3
HOLE DESIGN				
GRATE EL.				
INV. EL.				
VERT. EL.				
TOTAL HT.				

TYPE "G" INLET (18"/24")	
CONTRACTOR	
STATION	
PROJ. NAME	
LOCATION	
STATE PORJ. #	
FED. PROJ. #	
STRUCTURE #	
APPROVED BY	

**FOSTER SUPPLY**

MOUNT CLARE, WV    SCOTT DEPOT, WV    HARODSBURG, KY  
(304)326-0195    (304)755-8241    (877)534-9696