

X SLOPE & HEIGHT VARIES TO ACCOMIDATE PIPE DIAMETER.

SECTION A-A

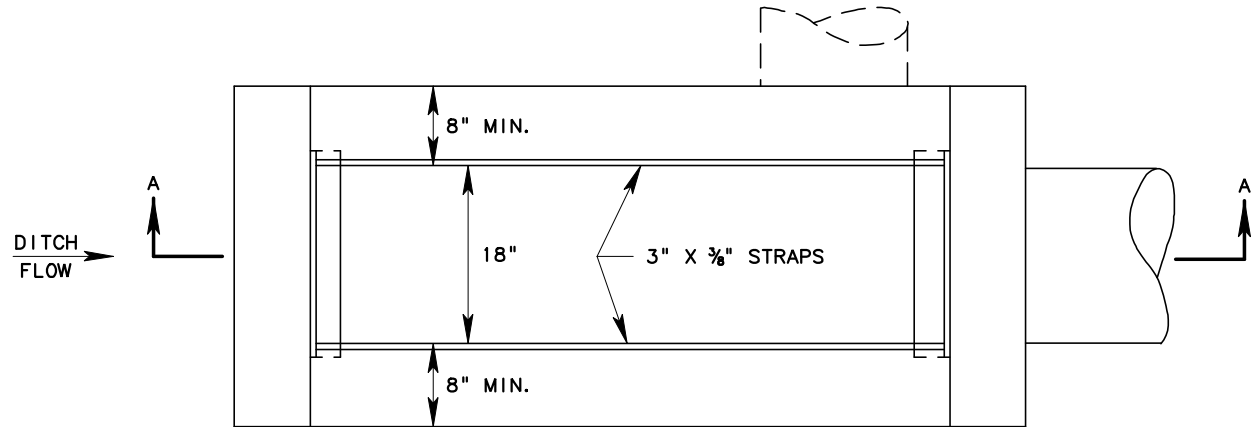
NOTES :

Grate and frame to be fabricated as per Type G Inlet Standard Detail. 2 3/4" x 1" bars and 2 3/4" x 7/16" straps may be substituted for the bars and straps as shown hereon.

Concrete for constructing the inlet shall have mix proportions in accordance with Section 605 of the Specifications; however, testing will not be required.

All work, including pipe extension if called for on the plans, is to be included in the cost of inlet.

Item 605051-001, Type U Inlet, per each.

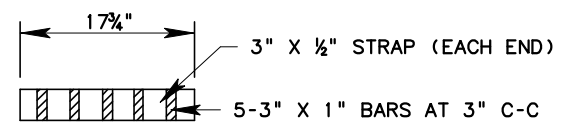
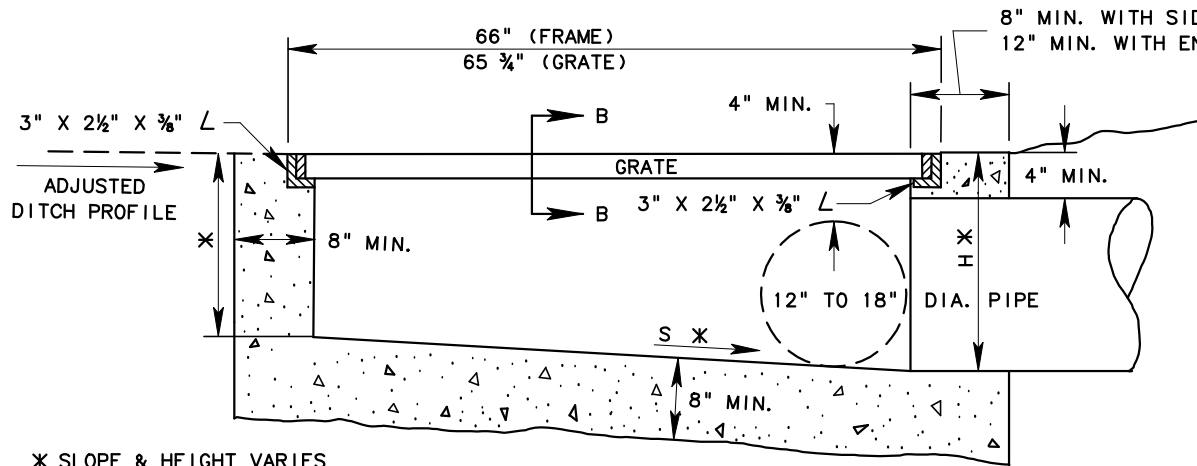


PLAN (GRATE NOT SHOWN)

THE WEST VIRGINIA DEPARTMENT OF TRANSPORTATION DIVISION OF HIGHWAYS

TYPE U INLET (1 OF 2)

Public Roads Div.	State Dist. No.	State Project No.	Federal Project No.	County
W. V.				



* SLOPE & HEIGHT VARIES TO ACCOMMODATE PIPE DIAMETER.

SECTION A-A

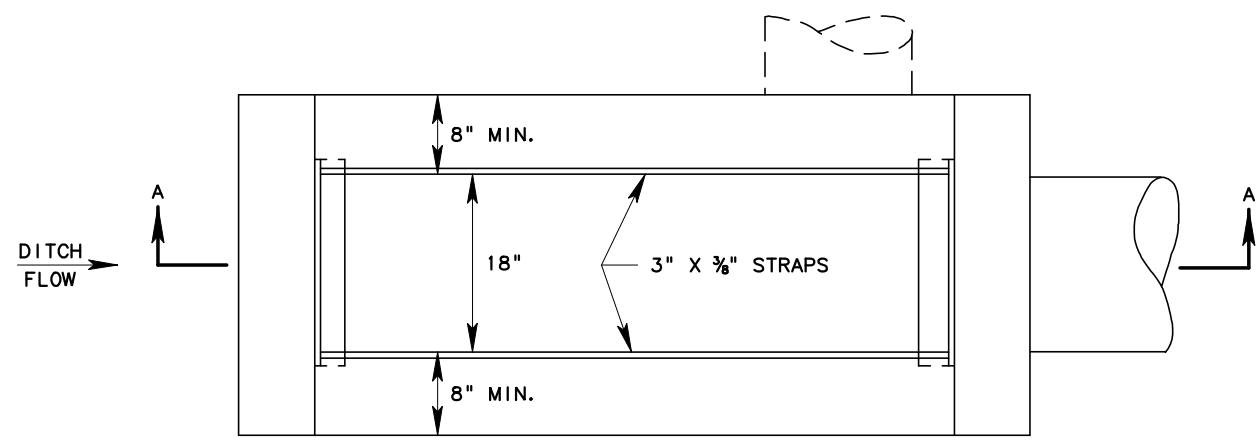
NOTES :

Grate and frame to be fabricated as per Type G Inlet Standard Detail. 2 3/4" x 1" bars and 2 3/4" x 7/8" straps may be substituted for the bars and straps as shown hereon.

Concrete for constructing the inlet shall have mix proportions in accordance with Section 605 of the Specifications; however, testing will not be required.

All work, including pipe extension if called for on the plans, is to be included in the cost of inlet.

Item 605051-001, Type U Inlet, per each.



PLAN
(GRATE NOT SHOWN)

THE WEST VIRGINIA DEPARTMENT OF TRANSPORTATION DIVISION OF HIGHWAYS
SPECIAL TYPE U INLET (2 OF 2)

Public Roads Div.	State Dist. No.	State Project No.	Federal Project No.	County
W. V.				