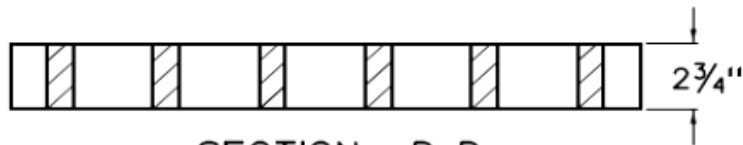
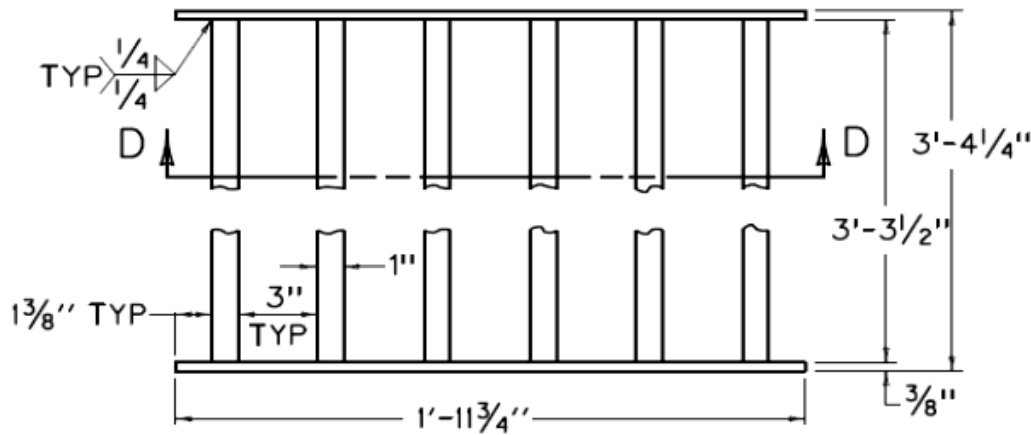


## DROP BOX INLET - TYPE 5A-5B-5C-5D-5E-5F



SECTION D-D  
DETAIL OF GRATE  
(TWO REQUIRED)

**BARS**

2 3/4" x 1" x 3'-3 1/2"

**GRATE PLATE**

2 3/4" x 3/8" x 1'-11 3/4"

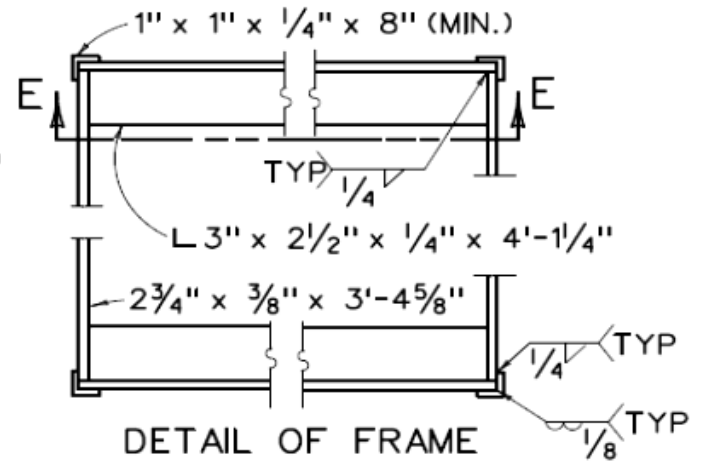
**FRAME**

2 3/4" x 3/8" x 3'-4 5/8"

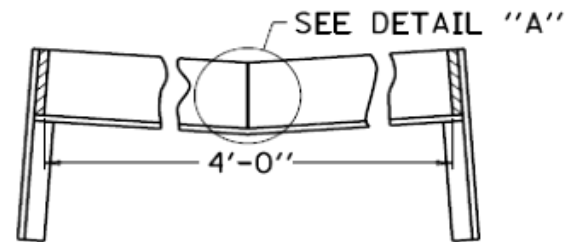
2 3/4" x 3/8" x 4'-1 1/4"

L BARS - 3" x 2 1/2" x 1/4" x 4'-1 1/4"

1" x 1" x 1/4" x 8" (MIN)



DETAIL OF FRAME



SECTION E-E

**QUANTITY**

= 12

**QUANTITY**

= 4

**QUANTITY**

= 2

= 2

= 2

= 4