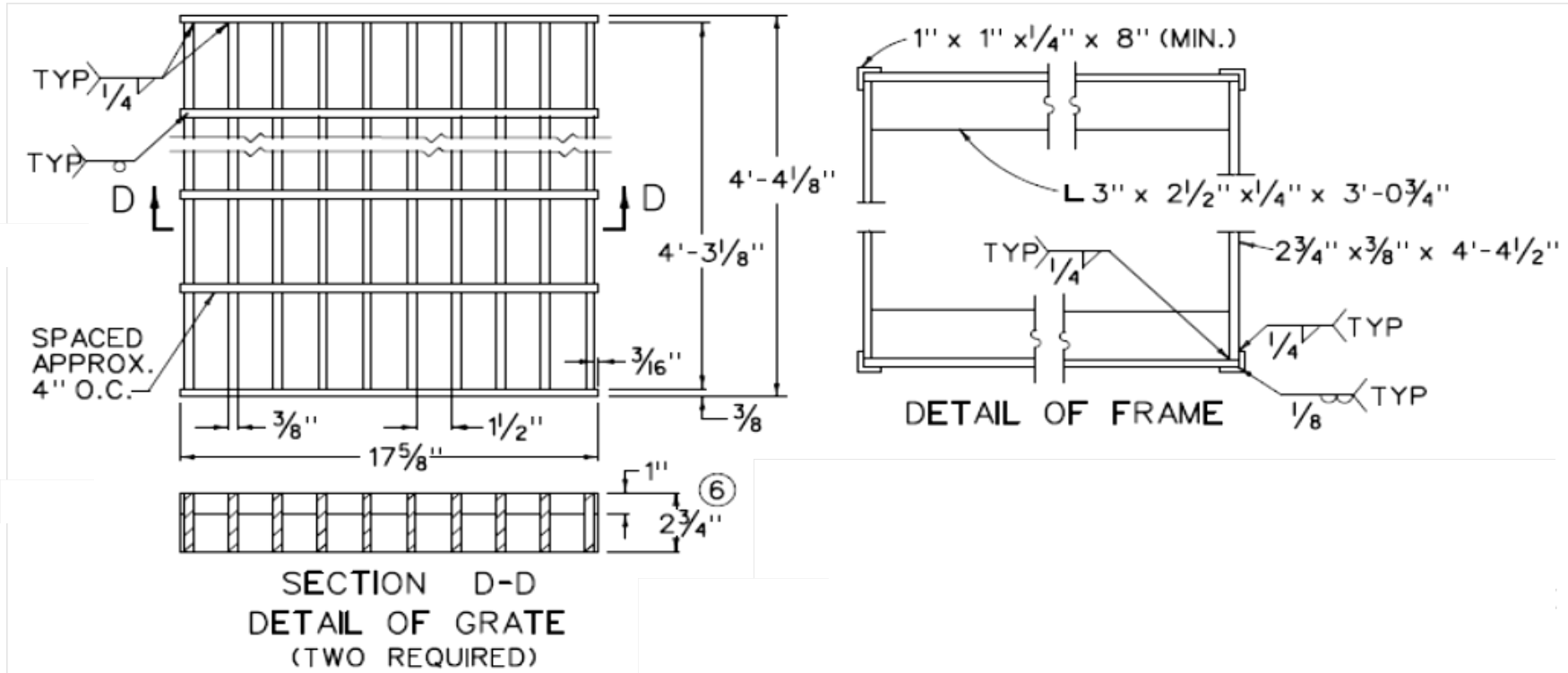


DROP BOX INLET - TYPE 4



BARS

2 3/4" x 3/8" x 4'-3 1/8"
1" x 3/8" x 1'-5 5/8"

QUANTITY

= 20
= 24

GRATE PLATE

2 3/4" x 3/8" x 1'-5 5/8"

QUANTITY

= 4

FRAME

2 3/4" x 3/8" x 3'-0 3/4"
2 3/4" x 3/8" x 4'-4 1/2"
L BARS - 3" x 2 1/2" x 1/4" x 3'-0 3/4"
1" x 1" x 1/4" x 8" (MIN)

QUANTITY

= 2
= 2
= 2
= 4