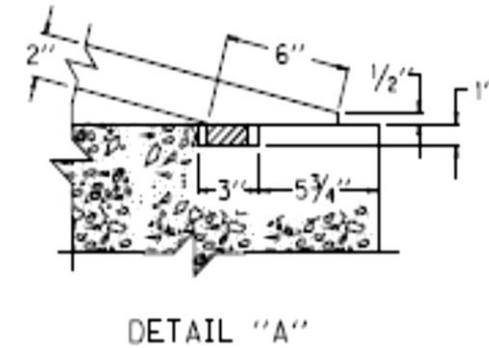
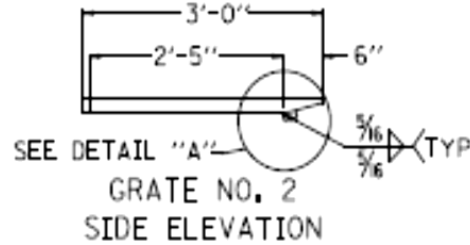
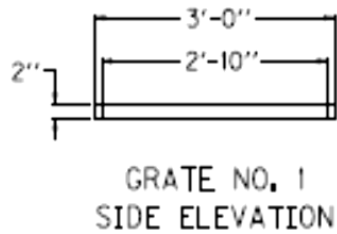
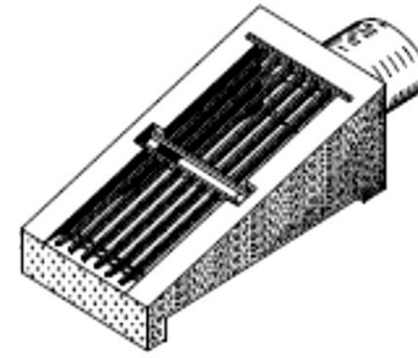
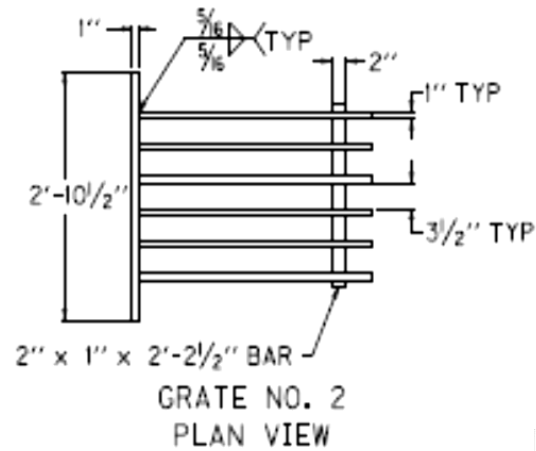
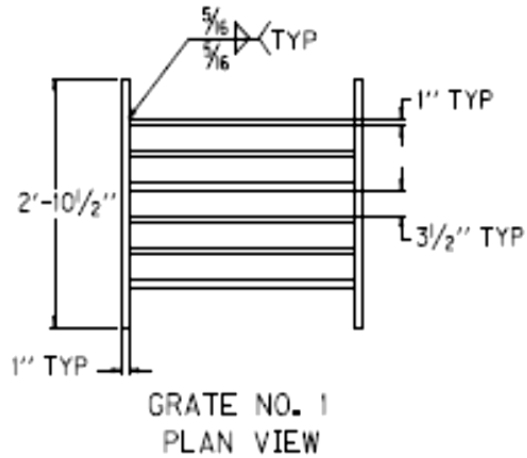


Sloped Box Outlet - Type 1



BARS	=	QUANTITY
2" x 1" x 2'-10 1/2"	=	3
2" x 1" x 2'-10"	=	6
2" x 1" x 2'-2 1/2"	=	1
2" x 1" x 2'-11" (See Detail "A" for Tapering Ends)	=	6

