

**EJIW EAST JORDAN**  
IRON WORKS EST.1883

800-626-4653  
www.ejiw.com  
MADE IN USA

PRODUCT NUMBER

**47386030**

CATALOG NUMBER

**V-7386 DI**

**ADA TRENCH  
GRATE**

LOAD RATING

**HEAVY DUTY**

COATING

**UNDIPPED**

ESTIMATED WEIGHT

GRATE:108 LBS

MATERIAL SPECIFICATION

GRATE - DUCTILE IRON  
ASTM A536

OPEN AREA

48 sq.in/ft

√ DESIGNATES MACHINED  
SURFACE

DRAWN

DEW

DATE

08/04/05

LAST REVISED

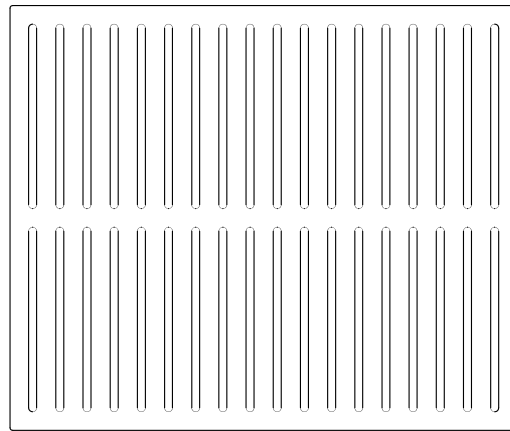
KKP

DATE

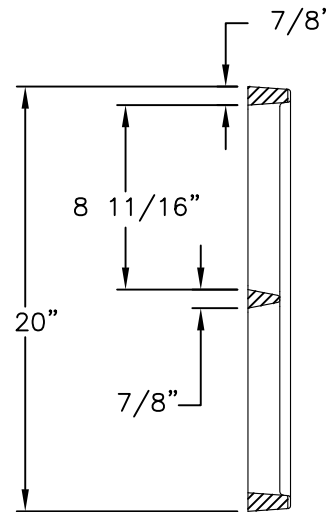
08/08/07

REFERENCE INFORMATION

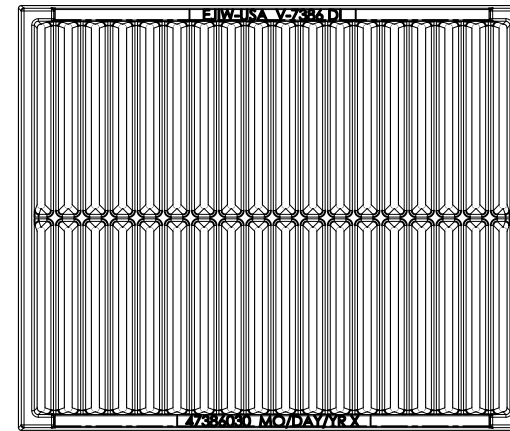
47386030.1D



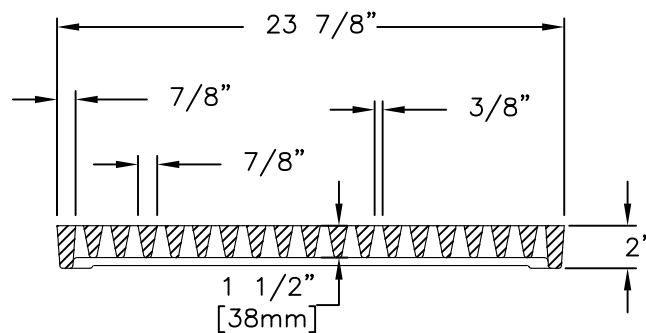
GRATE TOP VIEW



GRATE SECTION



GRATE BOTTOM VIEW



GRATE SECTION