

PRODUCT NUMBER

47386030

CATALOG NUMBER

V-7386 DI

**ADA TRENCH
GRATE**

LOAD RATING

HEAVY DUTY

COATING

UNDIPPED

ESTIMATED WEIGHT

GRATE:108 LBS

MATERIAL SPECIFICATION

GRATE - DUCTILE IRON
ASTM A536

OPEN AREA

48 sq.in/ft

√ DESIGNATES MACHINED
SURFACE

DRAWN

DEW

DATE

08/04/05

LAST REVISED

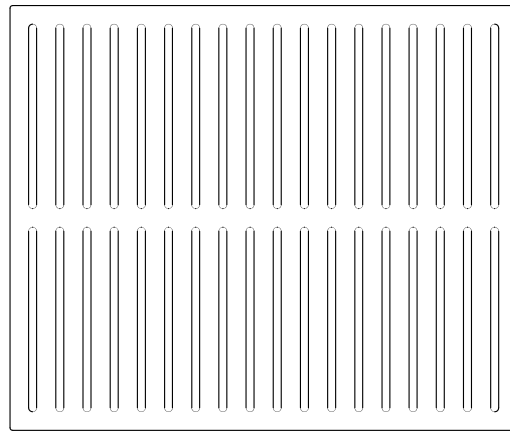
KKP

DATE

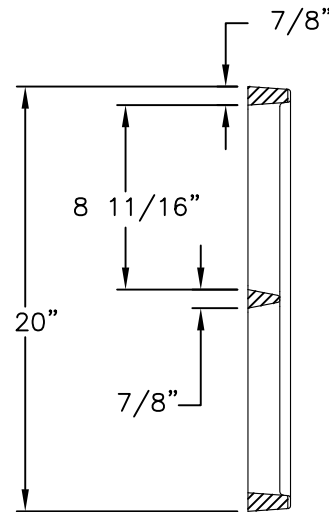
08/08/07

REFERENCE INFORMATION

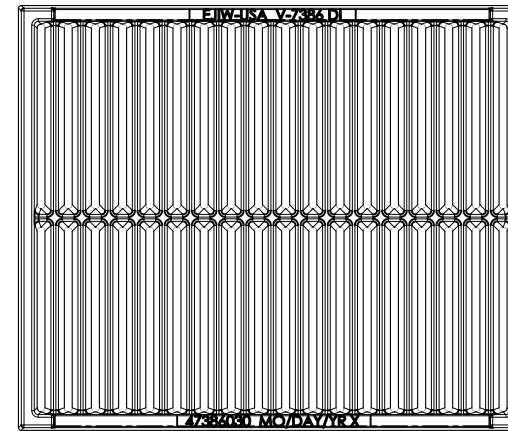
47386030.1D



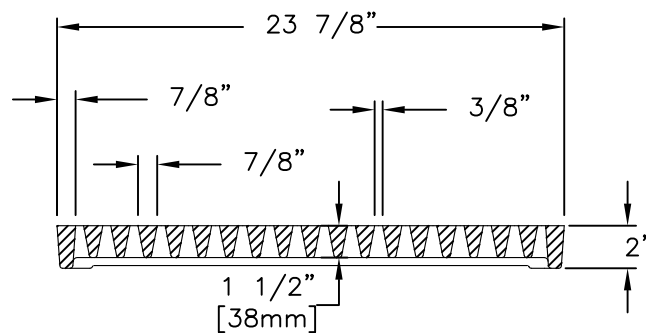
GRATE TOP VIEW



GRATE SECTION



GRATE BOTTOM VIEW



GRATE SECTION