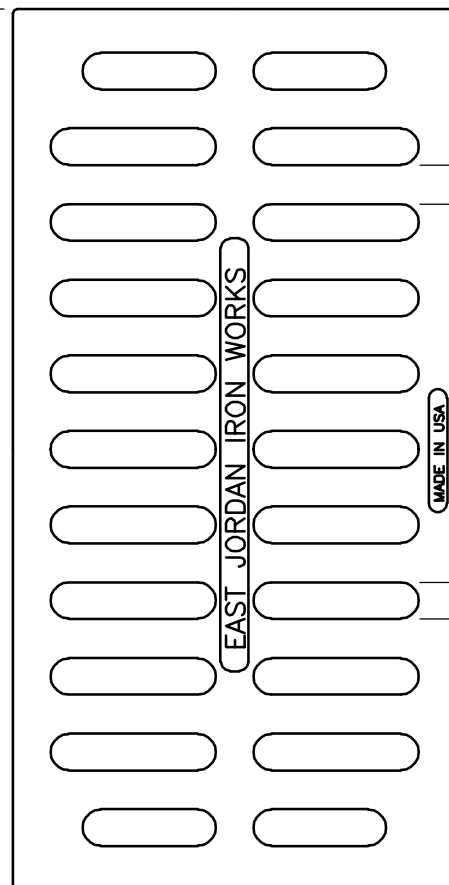
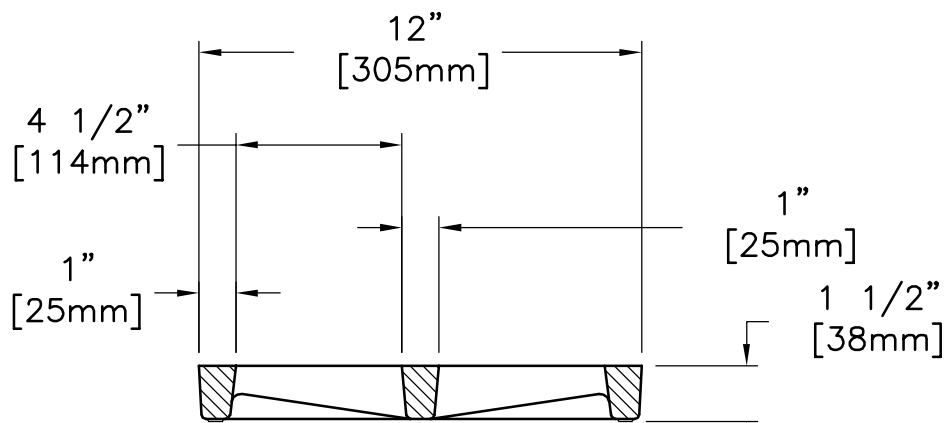


23 7/8"  
[606mm]



1 1/16"  
[27mm]

1"  
[25mm]



GRATE SECTION

EAST JORDAN  
IRON WORKS, INC.  
P.O. BOX 439  
EAST JORDAN, MI. 49727  
1-800-874-4100  
FAX 231-536-4458

DRAWN

SBB

DATE

01/29/04

APPROVED

DATE

## 6953 M2 GRATE

PRODUCT NO.

**695340**

CATALOG NO.

**6953M2**

REF. PRODUCT DRAWING

695340

EST. WT.

GRATE: 60 LBS 27kg

OPEN AREA  
90 SQ. IN.  
581 SQ. CM.

MAT'L SPEC.

GRATE - GRAY IRON  
ASTM A48 CL35

LOAD RATING

HEAVY DUTY