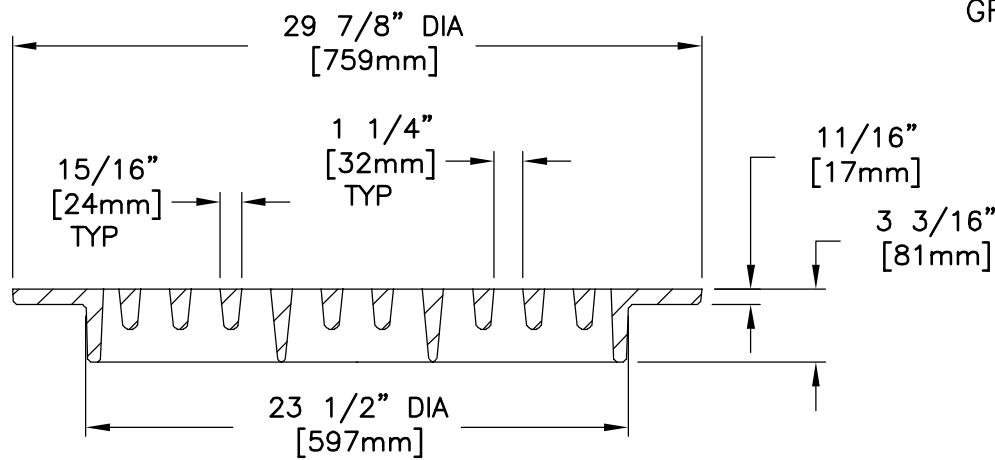


GRATE SECTION



GRATE SECTION

**EAST JORDAN
IRON WORKS, INC.**
P.O. BOX 439
EAST JORDAN, MI. 49727
1-800-874-4100
FAX 231-536-4458

DRAWN TCL	DATE 07/29/04
--------------	------------------

APPROVED	DATE
----------	------

**FLAT GRATE
W/O LUGS**

PRODUCT NO.
00622130

CATALOG NO.
6221M

REF. PRODUCT DRAWING
00622130

EST. WT.
GRATE: 140 LBS 64kg

OPEN AREA
192 SQ.IN.(1239 SQ.CM)

MAT'L SPEC.
GRATE - GRAY IRON
ASTM A48 CL35B

LOAD RATING
HEAVY DUTY