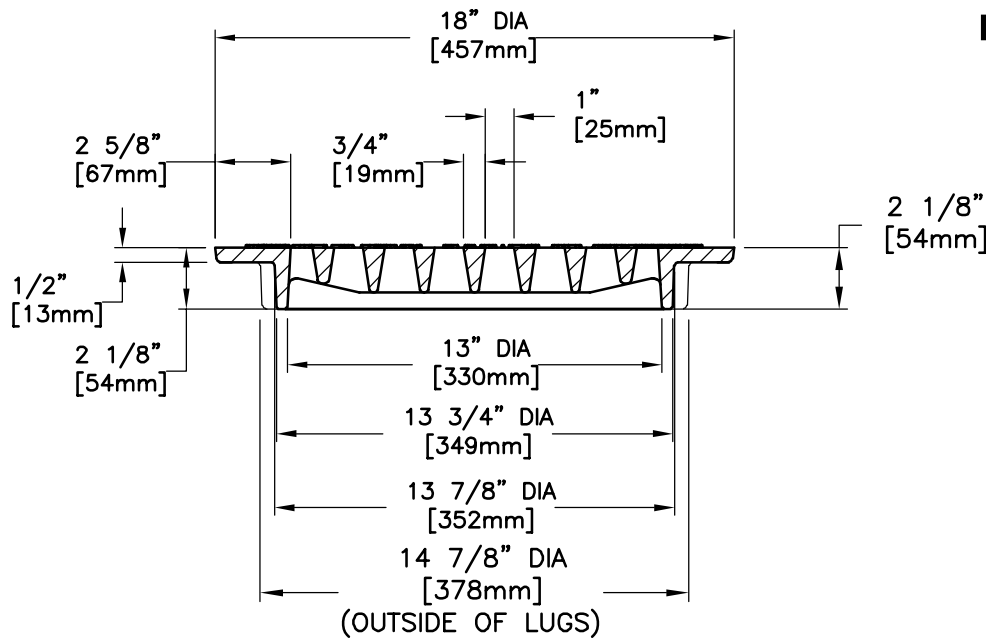


BOTTOM VIEW



SECTION

CONFIDENTIAL: This drawing is the property of East Jordan Iron Works, Inc. and embodies confidential information, trade secret information, and/or know how that is the property of East Jordan Iron Works, Inc. © Copyright 2006 East Jordan Iron Works, Inc.

EJW EAST JORDAN
IRON WORKS EST. 1883
800-626-4653
www.ejiw.com
MADE IN USA

PRODUCT NUMBER

00621232

CATALOG NUMBER

6212M

**CATCH BASIN
GRATE W/ LUGS**

LOAD RATING

MEDIUM DUTY

COATING

DIPPED

ESTIMATED WEIGHT

GRATE: 38 LBS 17kg

MATERIAL SPECIFICATION

GRATE - GRAY IRON
ASTM A48 CL35B

OPEN AREA

65 SQ.IN (419 SQ.CM.)

√ DESIGNATES MACHINED
SURFACE

DRAWN
DEW

DATE
06/17/06

LAST REVISED

DATE

REFERENCE INFORMATION

00621232

SLD