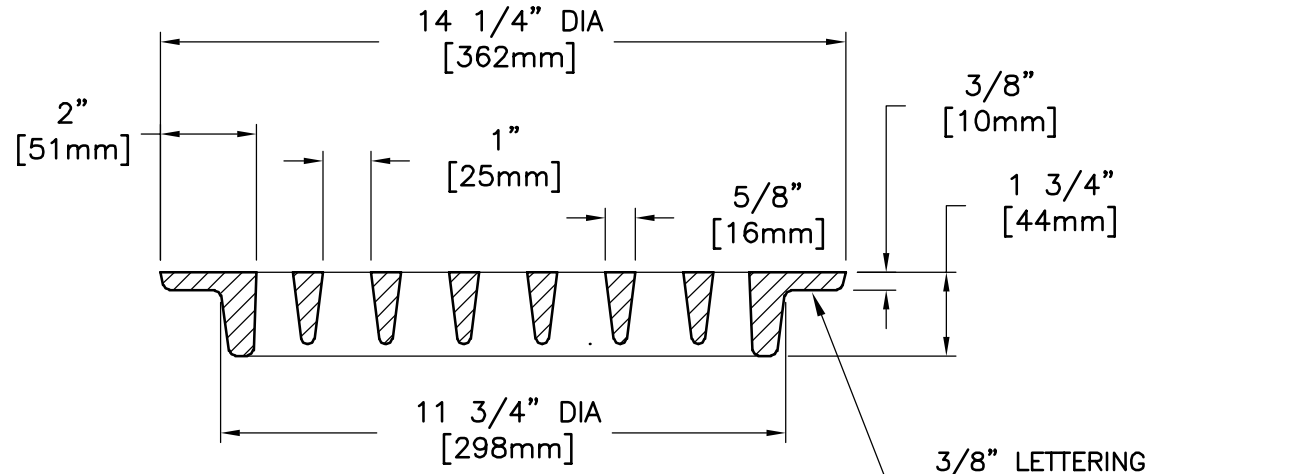


10 1/4"
[260mm]



GRATE SECTION

3/8" LETTERING
PART NUMBER
RECESSED FLUSH: 621034

**EAST JORDAN
IRON WORKS, INC.**
P.O. BOX 439
EAST JORDAN, MI. 49727
1-800-874-4100
FAX 231-536-4458

DRAWN DEW	DATE 02/15/99
APPROVED	DATE

**6210M2 GRATE
W./O. LUGS**

PRODUCT NO.
00621034

CATALOG NO.
6210M2

REF. PRODUCT DRAWING
6210M2

EST. WT.
GRATE: 24 LBS 11kg

OPEN AREA
45 SQ. INCHES
290 SQ. cm

MAT'L SPEC.
GRATE - GRAY IRON
ASTM A48 CL35B

LOAD RATING
HEAVY DUTY