

PRODUCT NUMBER

46622020

CATALOG NUMBER

V-6622

**V-6622
MANHOLE COVER**

LOAD RATING

HEAVY DUTY

COATING

UNDIPPED

ESTIMATED WEIGHT

COVER: 145 LBS

MATERIAL SPECIFICATION

COVER - GRAY IRON
ASTM A48 CL35B

OPEN AREA

✓ DESIGNATES MACHINED SURFACE

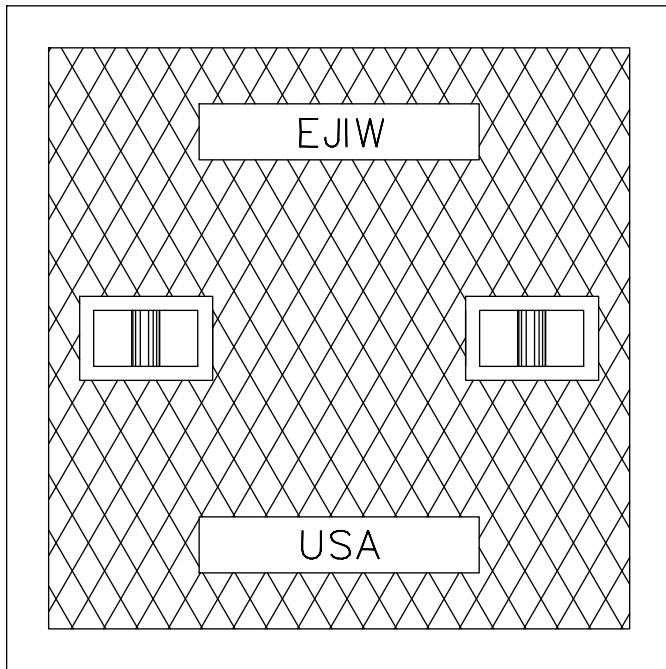
DRAWN
DEW

DATE
11/09/04

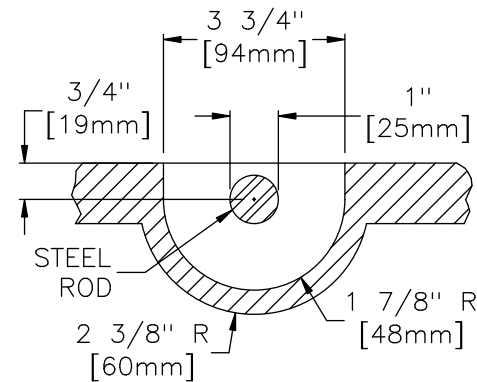
LAST REVISED
DAL

DATE
11/19/07

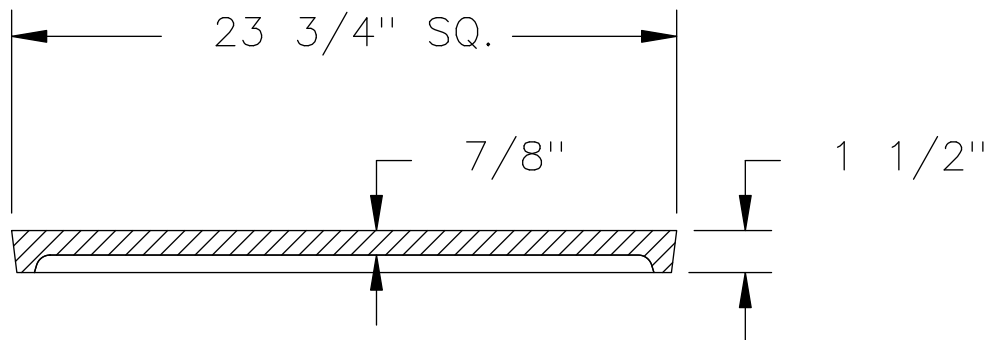
REFERENCE INFORMATION



COVER FACE



(2) TYPE 4 STEEL PICKBARS
PICKBAR DETAIL



COVER SECTION