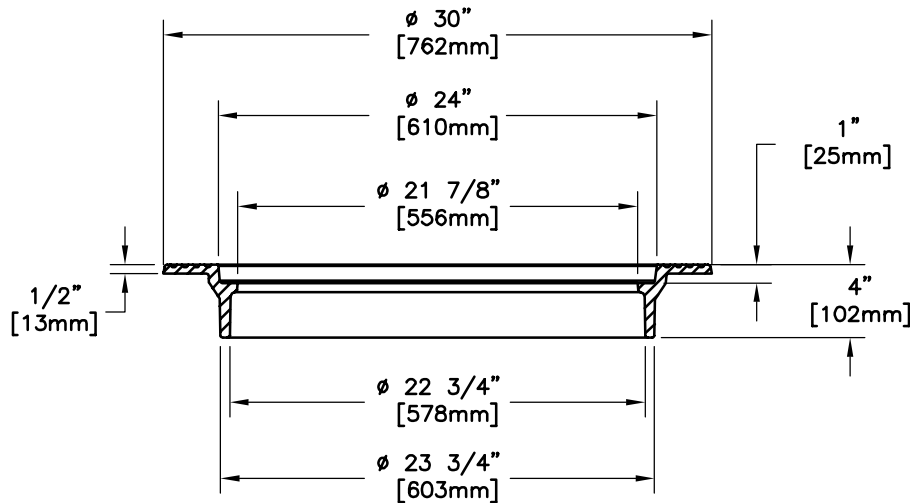


PLAN VIEW



SECTION VIEW

EJIW EAST JORDAN
 IRON WORKS EST. 1883
 800-626-4653
 www.ejiw.com
 MADE IN USA

PRODUCT NUMBER
00292510

CATALOG NUMBER
2925Z

MANHOLE FRAME

LOAD RATING
MEDIUM DUTY

COATING
DIPPED

ESTIMATED WEIGHT
 FRAME: 84 LBS 38kg

MATERIAL SPECIFICATION
 FRAME - GRAY IRON
 ASTM A48 CL35B

OPEN AREA
 N/A

√ DESIGNATES MACHINED SURFACE

DRAWN TCL	DATE 03/15/07
LAST REVISED	DATE

REFERENCE INFORMATION
 00292510 SLD.