

**EJIW EAST JORDAN**  
 IRON WORKS EST.1883  
 800-626-4653  
 www.ejiw.com  
 MADE IN USA

PRODUCT NUMBER  
**00213206**

CATALOG NUMBER  
**MANHOLE ASSEMBLY**

2132 AGS  
 2132Z

LOAD RATING  
**HEAVY DUTY**

COATING  
**UNDIPPED**

MATERIAL SPECIFICATION  
 COVER – GRAY IRON  
 ASTM A48 CL35B  
 FRAME – GRAY IRON  
 ASTM A48 CL35B

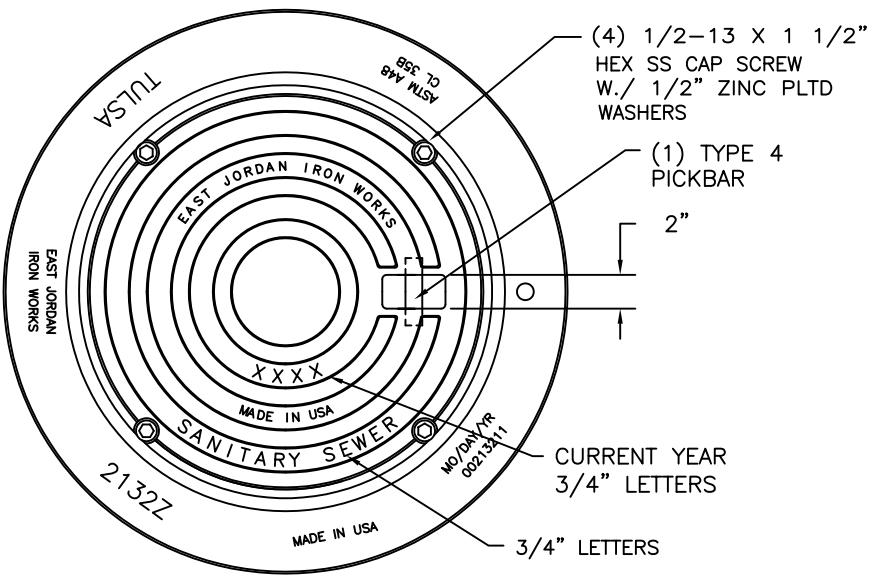
OPEN AREA  
 N/A

√ DESIGNATES MACHINED SURFACE

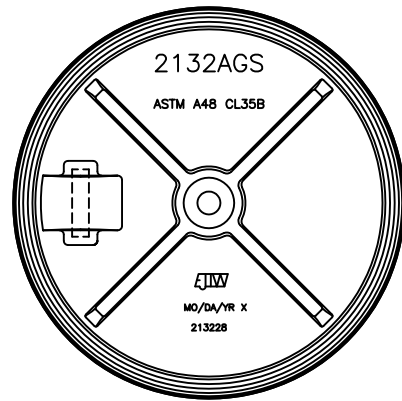
DRAWN DEW	DATE 10/29/04
--------------	------------------

LAST REVISED DAL	DATE 08/13/08
---------------------	------------------

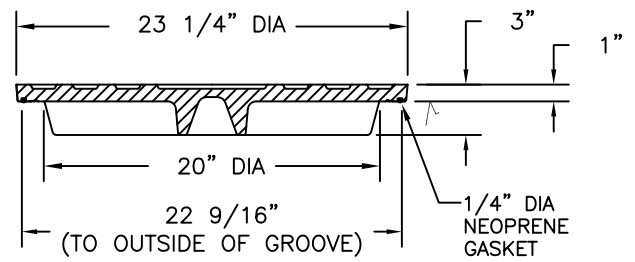
REFERENCE INFORMATION



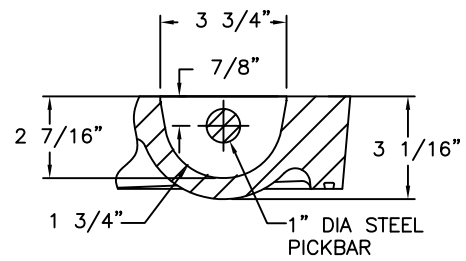
PLAN VIEW



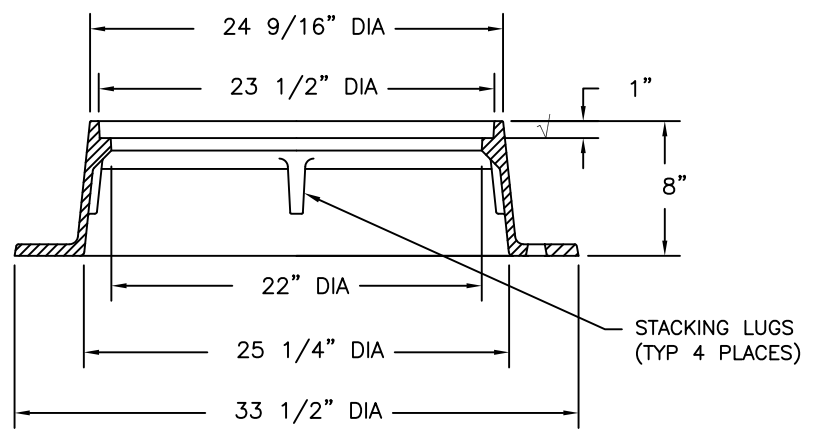
BOTTOM VIEW



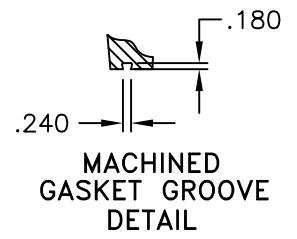
COVER SECTION



PICKBAR DETAIL



FRAME SECTION



MACHINED GASKET GROOVE DETAIL

CONFIDENTIAL: This drawing is the property of East Jordan Iron Works, Inc. and embodies confidential information, trade secret information, and/or know how that is the property of East Jordan Iron Works, Inc. © Copyright 2006 East Jordan Iron Works, Inc.