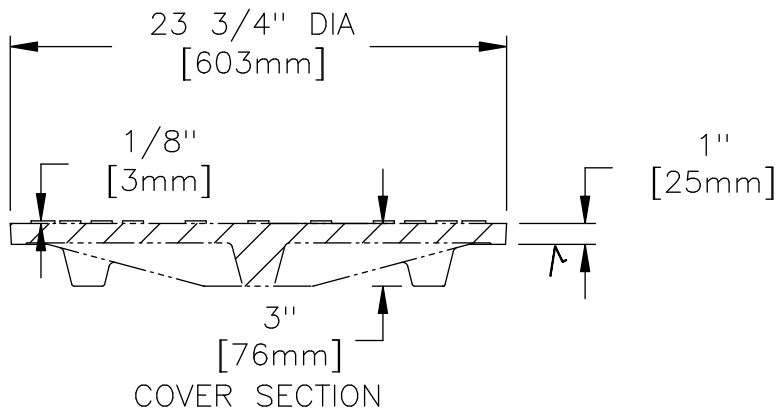


BOTTOM VIEW



√ MACHINED SURFACE

EAST JORDAN
IRON WORKS, INC.
P.O. BOX 439
EAST JORDAN, MI. 49727
1-800-874-4100
FAX 231-536-4458

DRAWN SBB	DATE 04/30/01
APPROVED	DATE

WEST VIRGINIA
TYPE A
MANHOLE COVER

PRODUCT NO.
00203524

CATALOG NO.
2035A

REF. PRODUCT DRAWING
203523

EST. WT.
COVER: 150 LBS 68kg

OPEN AREA
N/A

MAT'L SPEC.
COVER - GRAY IRON
ASTM A48 CL35

LOAD RATING
HEAVY DUTY