

PRODUCT NUMBER

00159010

CATALOG NUMBER

1590Z

MANHOLE FRAME

LOAD RATING

HEAVY DUTY H-20

COATING

DIPPED

ESTIMATED WEIGHT

FRAME: 150 LBS 68kg

MATERIAL SPECIFICATION

FRAME - GRAY IRON
ASTM A48 CL35B

OPEN AREA

N/A

✓ DESIGNATES MACHINE SURFACE

DRAWN
DEW

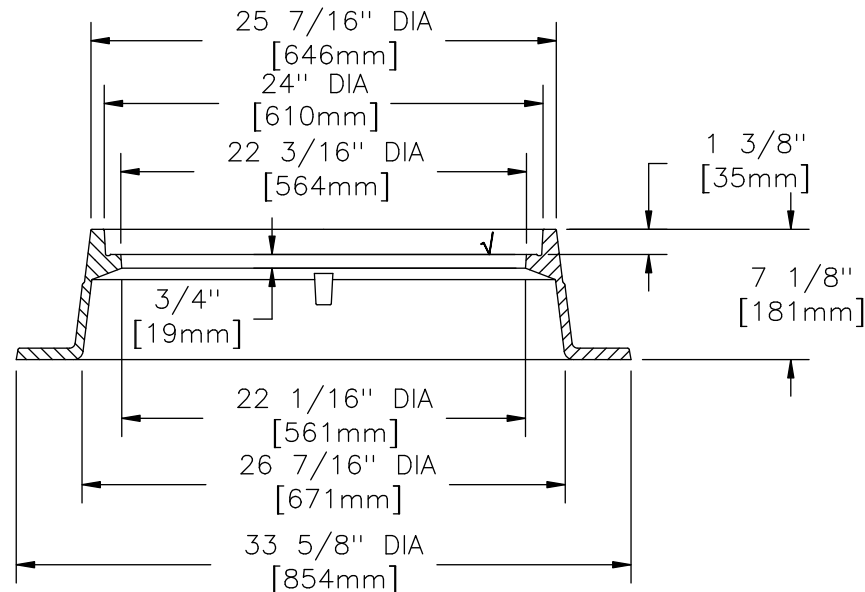
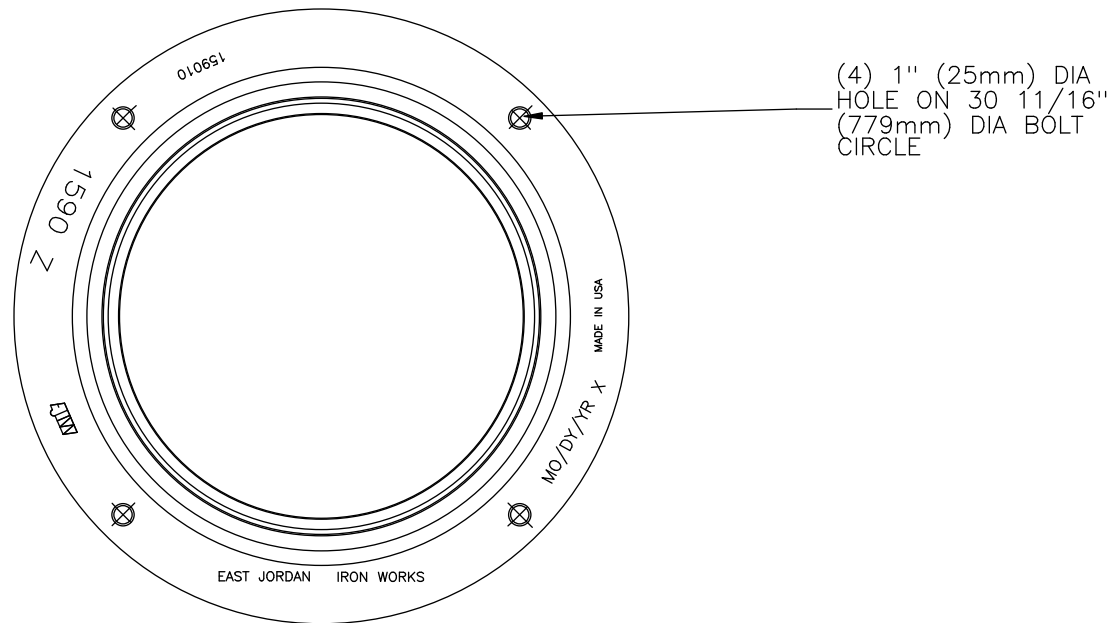
DATE
01/20/06

LAST REVISED

DATE

REFERENCE INFORMATION

00159010



FRAME SECTION