

PRODUCT NUMBER

00159020

CATALOG NUMBER

1590A

**MANHOLE
COVER**

LOAD RATING
HEAVY DUTY

COATING
DIPPED

MATERIAL SPECIFICATION
COVER - GRAY IRON
ASTM A48 CL35B

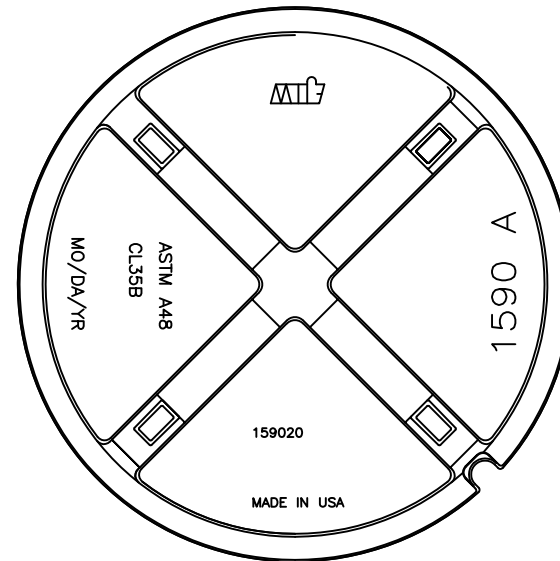
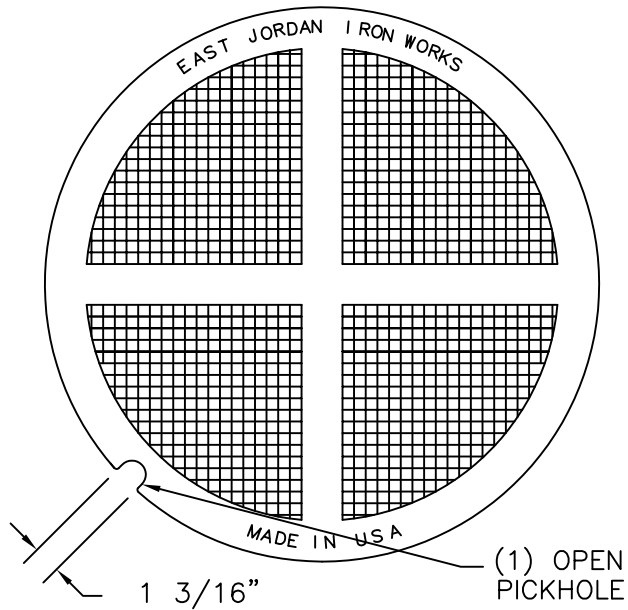
OPEN AREA
N/A

√ DESIGNATES MACHINED
SURFACE

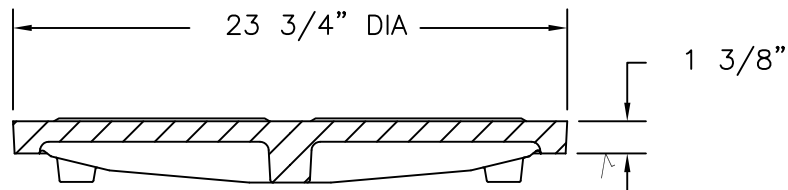
| | |
|--------------|------------------|
| DRAWN DEW | DATE 06/22/01 |
|--------------|------------------|

| | |
|---------------------|------------------|
| LAST REVISED GAD | DATE 01/20/09 |
|---------------------|------------------|

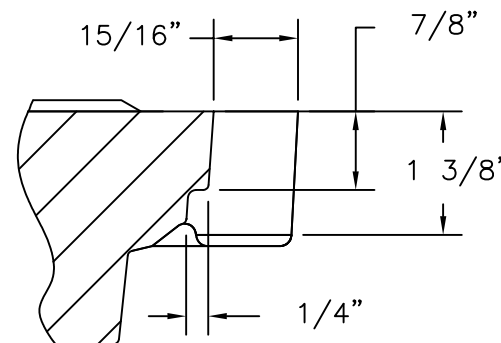
REFERENCE INFORMATION



BOTTOM VIEW



COVER SECTION



PICKHOLE DETAIL