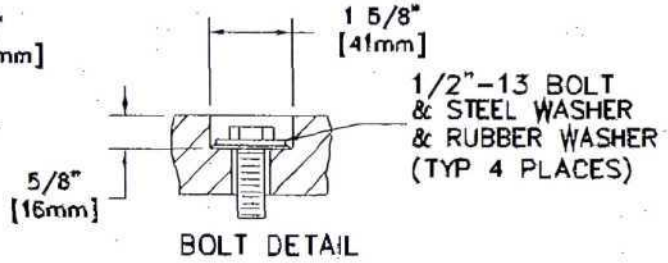
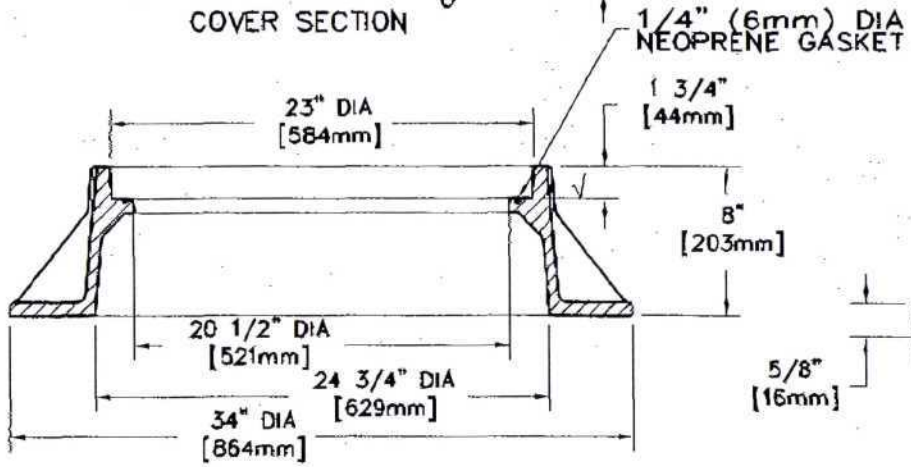
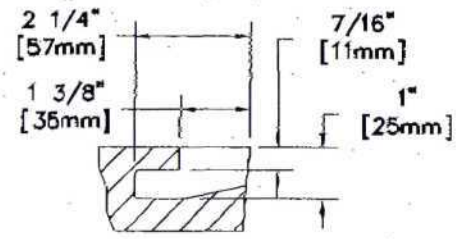
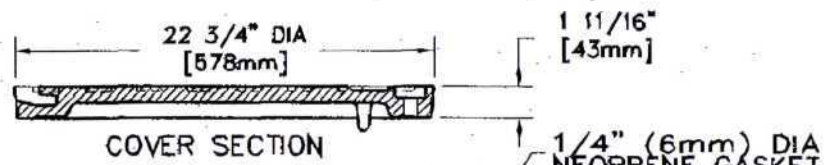


BOTTOM VIEW



MACHINED SURFACE

**EAST JORDAN IRON WORKS, INC.**  
P.O. BOX 439  
EAST JORDAN, MI. 49727  
1-800-874-4100  
FAX 616-536-4458

DRAWN DEW DATE 04/16/04

APPROVED DATE

**MANHOLE FRAME & COVER ASSEMBLY**

PRODUCT NO.  
**00155008**

CATALOG NO.  
1020APT  
1550ZPT

REF. PRODUCT DRAWING  
102121  
155012

EST. WT.  
COVER WT: 115 LBS (52kg)  
FRAME WT: 185 LBS (84kg)  
COVER WT: 300 LBS (136kg)

OPEN AREA  
N/A

MAT'L SPEC.  
COVER - GRAY IRON  
ASTM A48 CL35B  
FRAME - GRAY IRON  
ASTM A48 CL35B

LOAD RATING  
HEAVY DUTY