

PRODUCT NUMBER

**00149010**

CATALOG NUMBER

**1490Z**

**FRAME**

LOAD RATING

**HEAVY DUTY**

COATING

**DIPPED**

ESTIMATED WEIGHT

MATERIAL SPECIFICATION

FRAME - GRAY IRON  
ASTM A48 CL35B

OPEN AREA

N/A

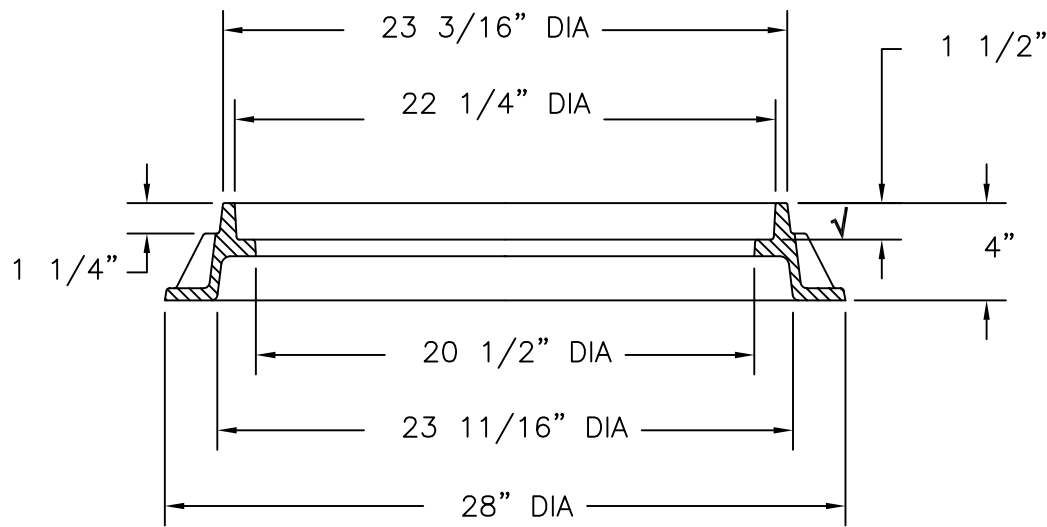
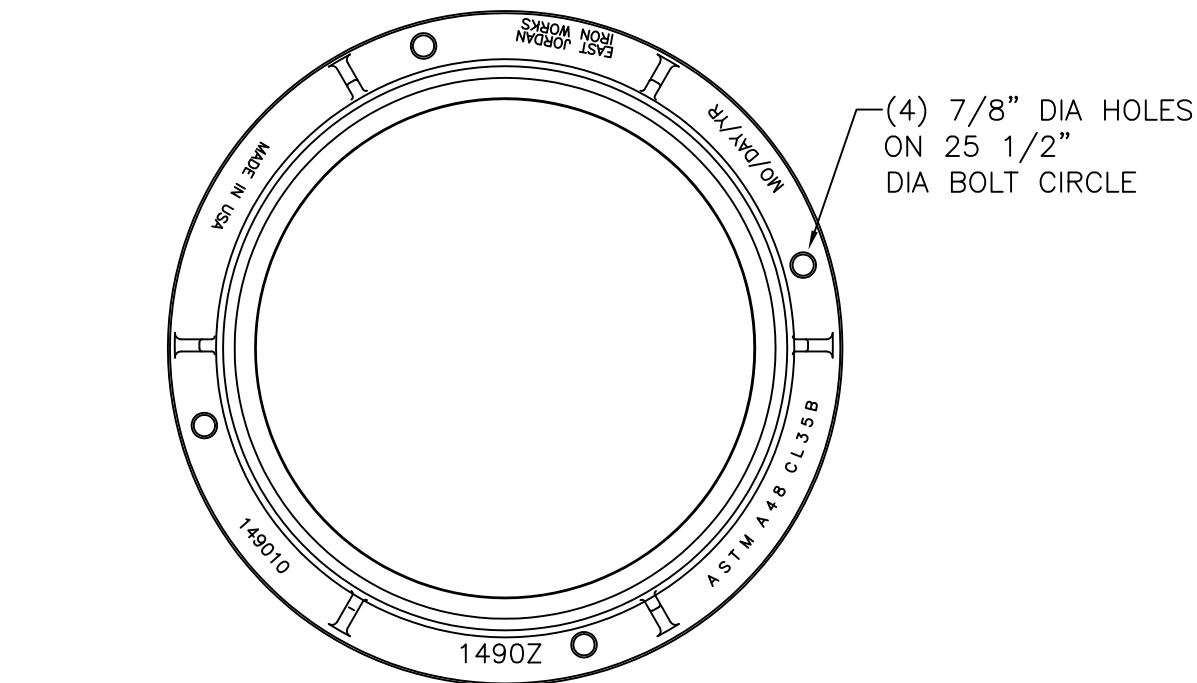
√ DESIGNATES  
MACHINED SURFACE

DRAWN SBB	DATE 03/04/04
--------------	------------------

LAST REVISED JJD	DATE 07/29/08
---------------------	------------------

REFERENCE INFORMATION

00149011



FRAME SECTION