

**EAST JORDAN  
IRON WORKS, INC.**

P.O. BOX 439  
EAST JORDAN, MI. 49727  
1-800-874-4100  
FAX 231-536-4458

DRAWN  
TCL

DATE  
08/08/03

APPROVED

DATE

**MANHOLE FRAME**

PRODUCT NO.

**00148010  
(DIPPED)**

CATALOG NO.

**1480Z**

REF. PRODUCT DRAWING

148010

EST. WT.

FRAME: 155 LBS 70 kg

OPEN AREA

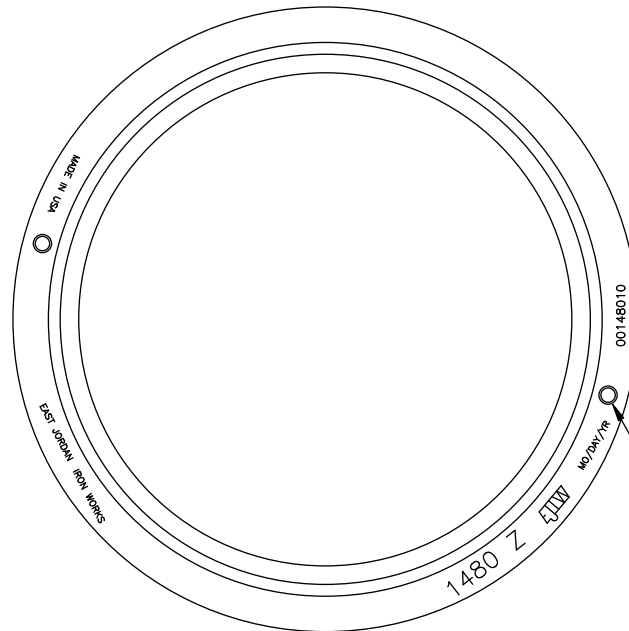
N/A

MAT'L SPEC.

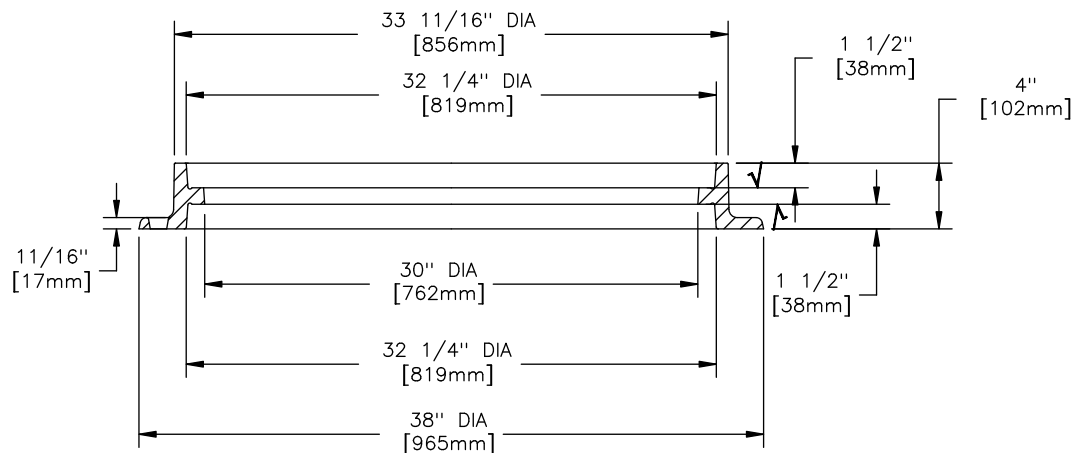
FRAME - GRAY IRON  
ASTM A48 CL35

LOAD RATING

**HEAVY DUTY**



(2) 7/8" (22mm) DIA  
HANDLING HOLE



**SECTION**

NOTE: THIS FRAME IS REVERSIBLE,  
AND CAN BE INSTALLED AS  
A TOP FLANGE.

√ MACHINED SURFACE