

EAST JORDAN  
IRON WORKS, INC.  
P.O. BOX 439  
EAST JORDAN, MI. 49727  
1-800-874-4100  
FAX 231-536-4458

DRAWN TCL	DATE 03/29/03
APPROVED	DATE

**SPECIAL LETTERED  
COVER**

PRODUCT NO.  
**00148025  
(DIPPED)**

CATALOG NO.  
**1480AHD**

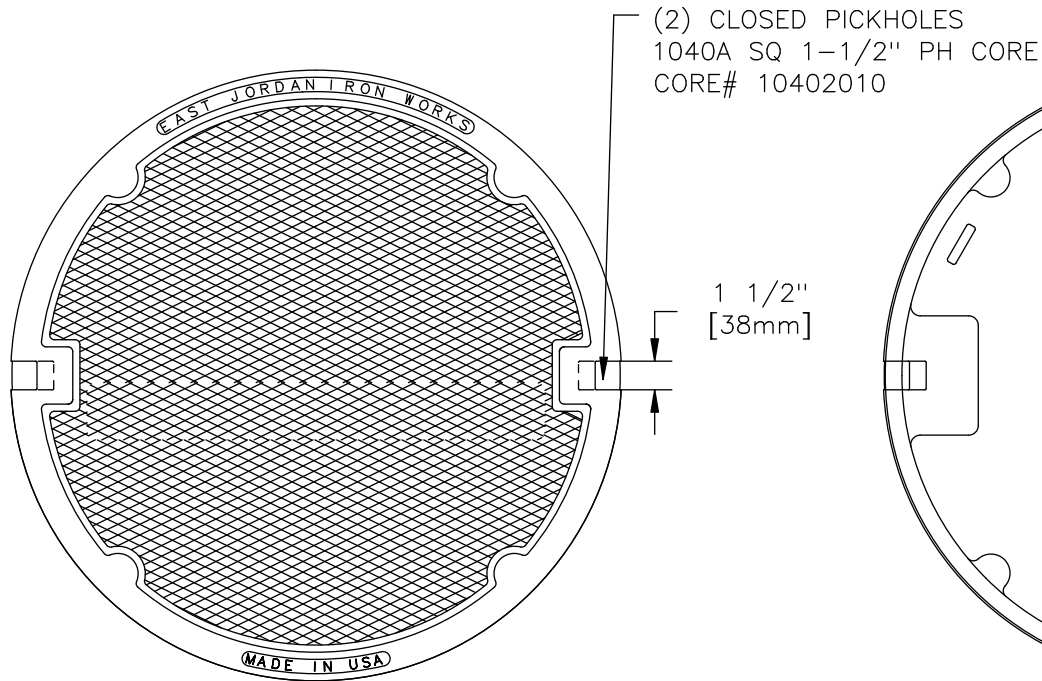
REF. PRODUCT DRAWING  
00148126

EST. WT.  
COVER: 215 LBS 97kg

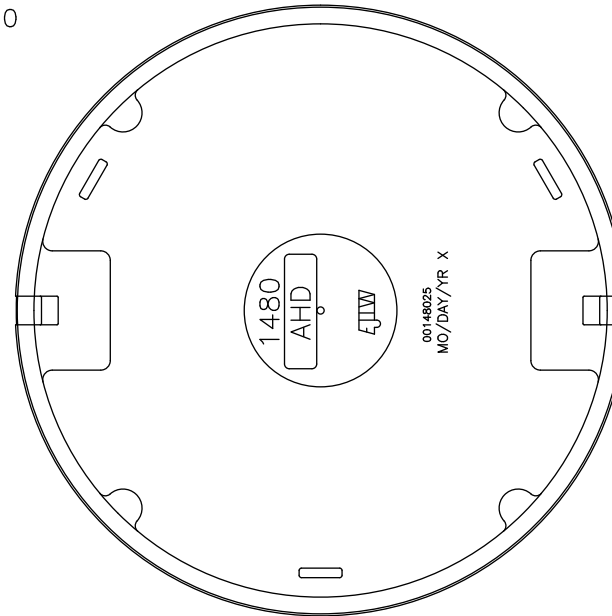
OPEN AREA  
N/A

MAT'L SPEC.  
COVER - GRAY IRON  
ASTM A48 CL35

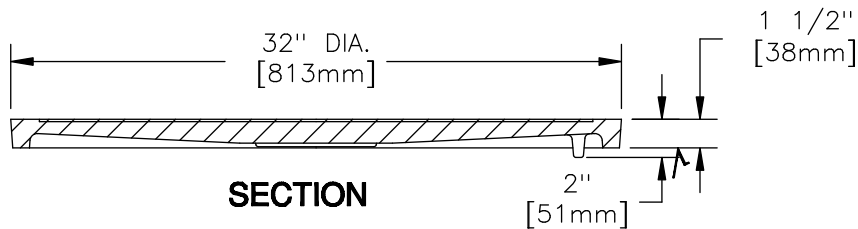
LOAD RATING  
HEAVY DUTY



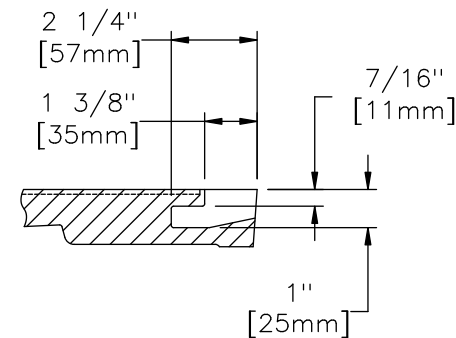
**PLAN VIEW**



**BOTTOM VIEW**



**SECTION**



**PICKHOLE DETAIL**

√ MACHINED SURFACE