

PRODUCT NUMBER

**00145055**

CATALOG NUMBER

**1450A**

**MANHOLE  
COVER**

LOAD RATING  
**HEAVY DUTY**

COATING  
**DIPPED**

MATERIAL SPECIFICATION

COVER - GRAY IRON  
ASTM A48 CL35B

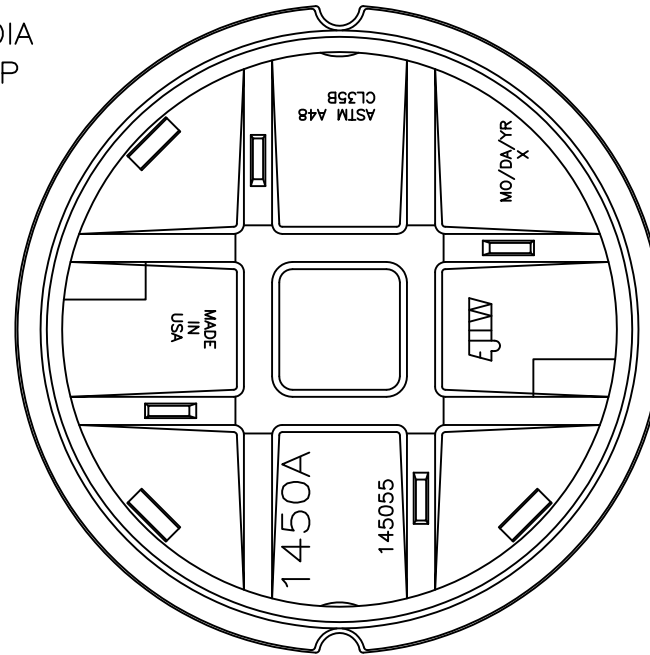
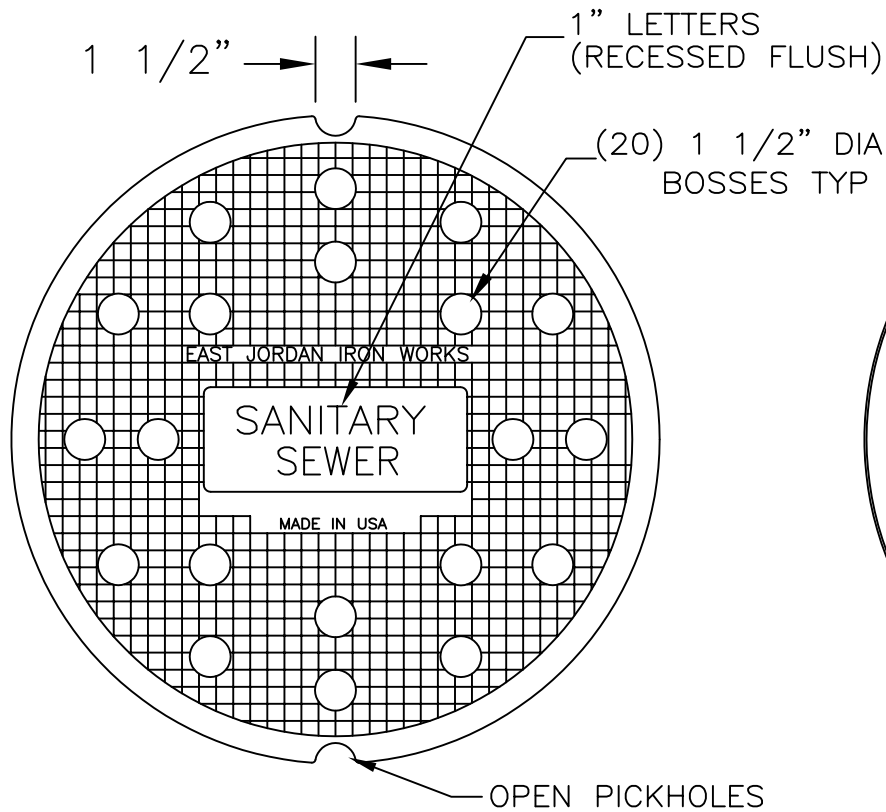
OPEN AREA  
N/A

√ DESIGNATES MACHINED  
SURFACE

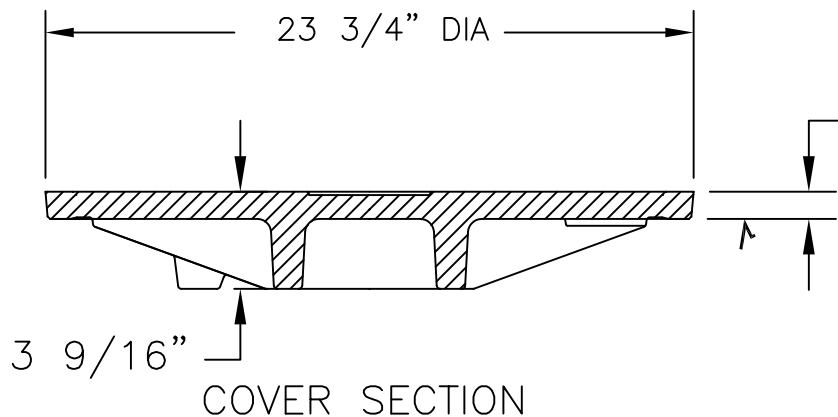
DRAWN DJP	DATE 06/13/06
--------------	------------------

LAST REVISED DAL	DATE 10/05/09
---------------------	------------------

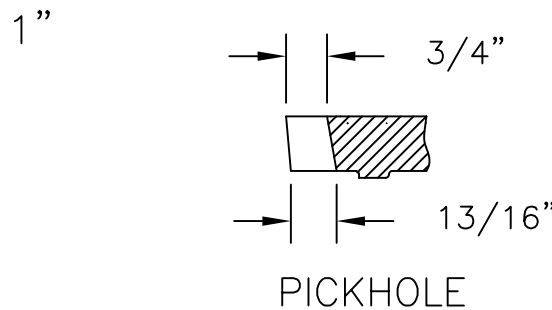
REFERENCE INFORMATION



BOTTOM VIEW



COVER SECTION



PICKHOLE