

EAST JORDAN  
IRON WORKS, INC.  
P.O. BOX 439  
EAST JORDAN, MI. 49727  
1-800-874-4100  
FAX 231-536-4458

DRAWN TCL	DATE 08/08/03
APPROVED	DATE

MANHOLE  
COVER

PRODUCT NO.  
**00145055**

CATALOG NO.  
1450A

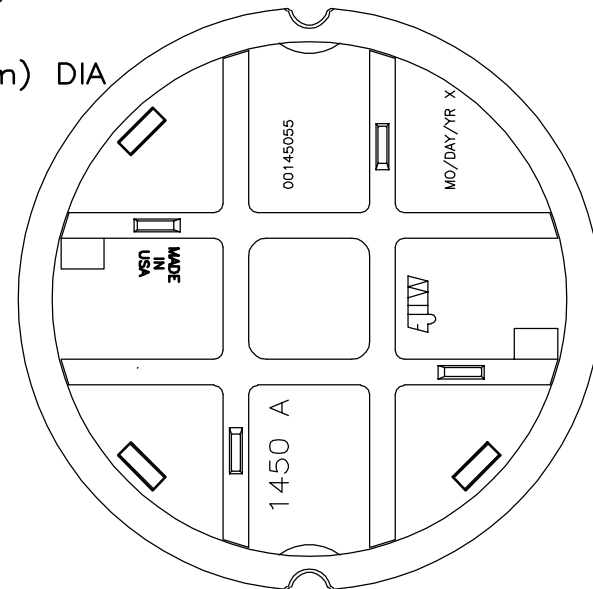
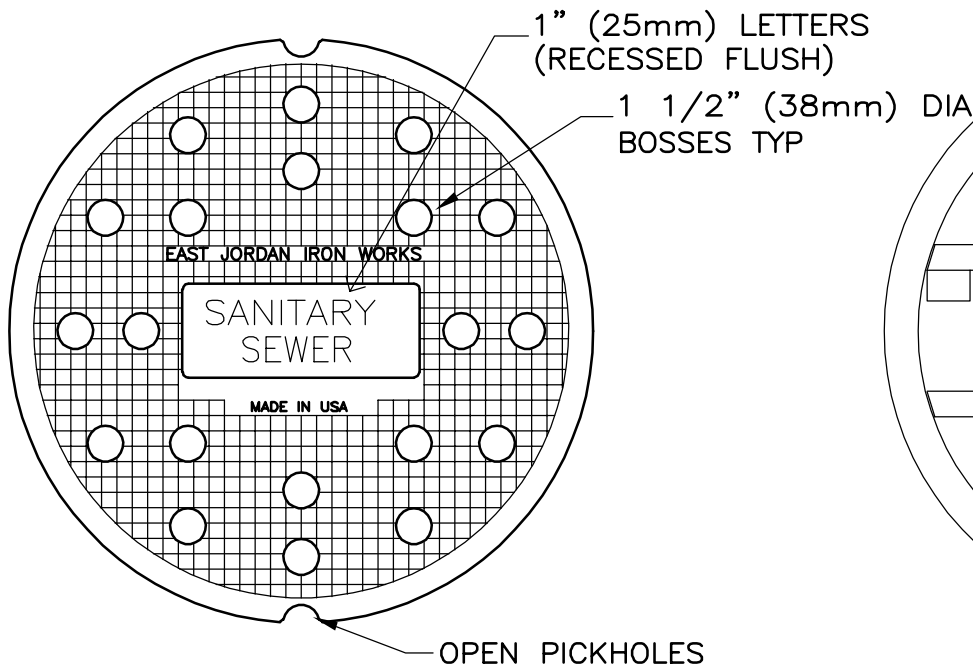
REF. PRODUCT DRAWING  
00145020

EST. WT.  
COVER: 140LBS 64kg

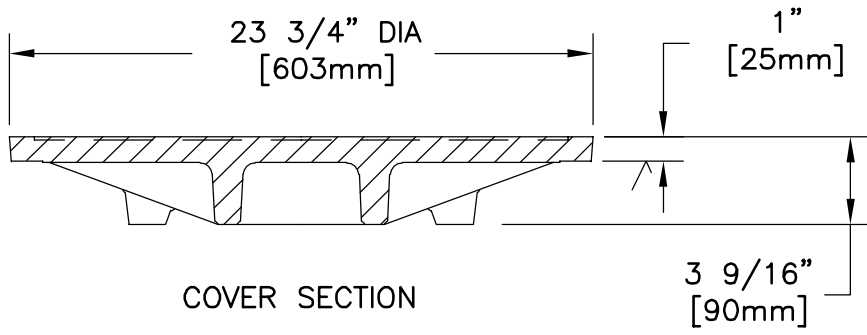
OPEN AREA  
N/A

MAT'L SPEC.  
COVER - GRAY IRON  
ASTM A48 CL35

LOAD RATING  
HEAVY DUTY



BOTTOM VIEW  
OF COVER



COVER SECTION

√ MACHINED SURFACE