

**EAST JORDAN
IRON WORKS, INC.**
P.O. BOX 439
EAST JORDAN, MI. 49727
1-800-874-4100
FAX 231-536-4458

DRAWN DEW	DATE 11/20/03
--------------	------------------

APPROVED	DATE
----------	------

**SOLID MANHOLE
COVER**

PRODUCT NO.
00112020
DIPPED

CATALOG NO.
1120A

REF. PRODUCT DRAWING
112020

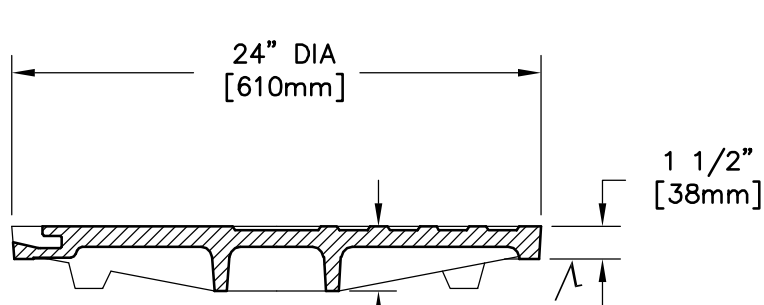
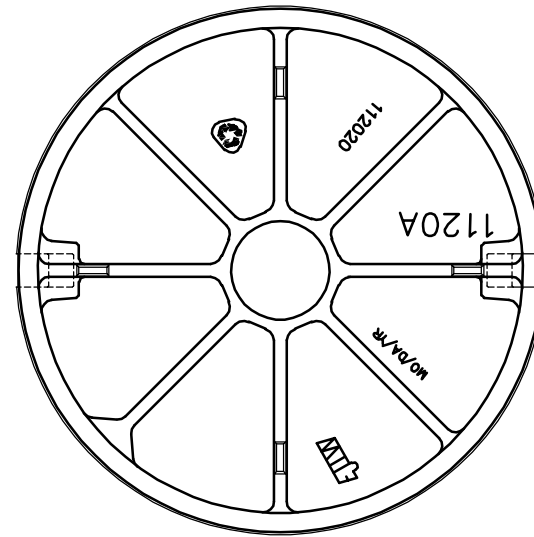
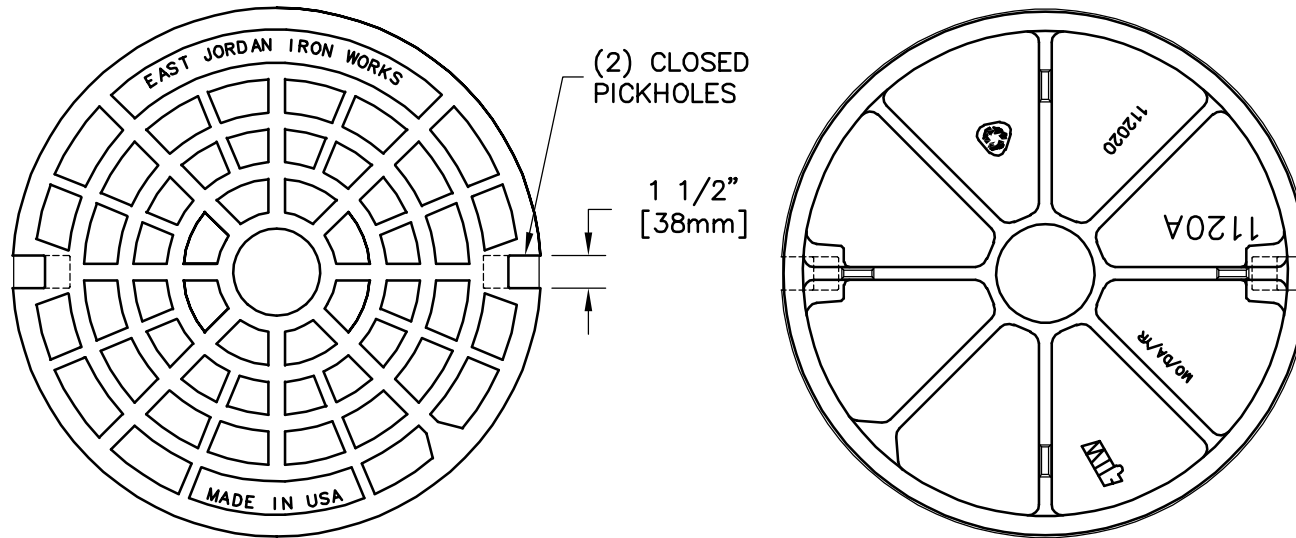
EST. WT.
COVER: 130 LBS 59kg

OPEN AREA
N/A

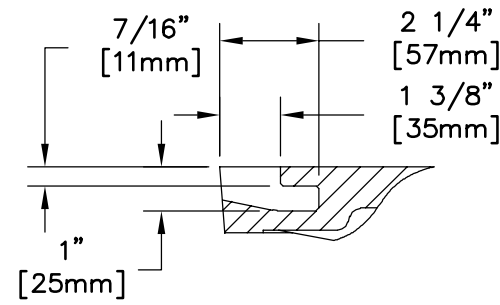
MAT'L SPEC.
COVER - GRAY IRON
ASTM A48 CL35

LOAD RATING

HEAVY DUTY



COVER SECTION



PICKHOLE DETAIL

✓ MACHINED SURFACE