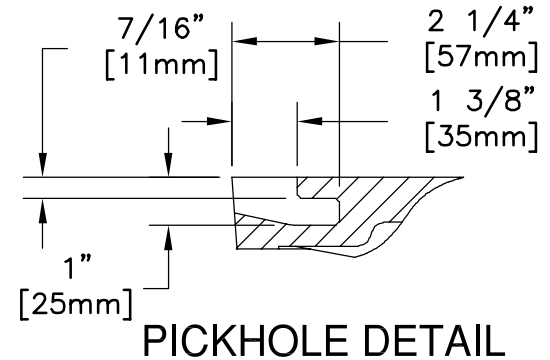


COVER SECTION



PICKHOLE DETAIL

√ MACHINED SURFACE

EAST JORDAN IRON WORKS, INC.

P.O. BOX 439
 EAST JORDAN, MI. 49727
 1-800-874-4100
 FAX 231-536-4458

DRAWN PFB	DATE 09/28/04
APPROVED	DATE

SPECIAL LETTERED COVER

PRODUCT NO.
00112068

CATALOG NO.
1120A

REF. PRODUCT DRAWING
 00112027

EST. WT.
 COVER: 130 LBS 59kg

OPEN AREA
 N/A

MAT'L SPEC.
 COVER - GRAY IRON
 ASTM A48 CL35B

LOAD RATING
HEAVY DUTY