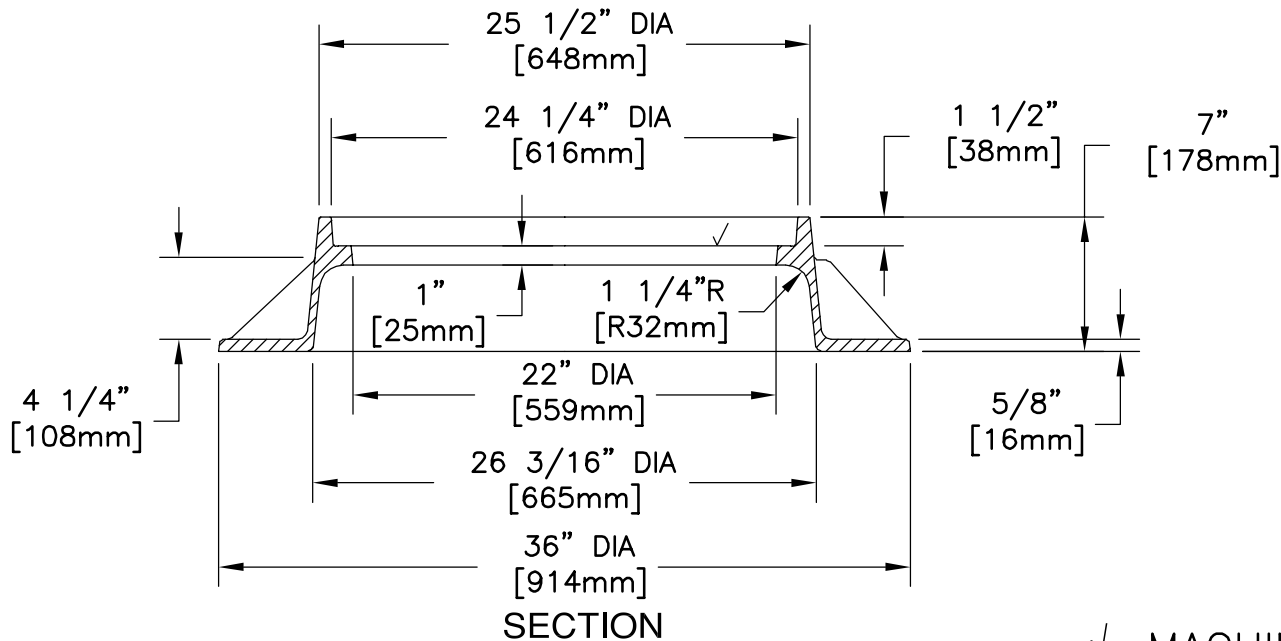


(4) 7/8" (22mm) DIA HOLES
EQUALLY SPACED ON
33 3/4" (857mm) DIA B.C.



√ MACHINED SURFACE

**EAST JORDAN
IRON WORKS, INC.**

P.O. BOX 439
EAST JORDAN, MI. 49727
1-800-874-4100
FAX 231-536-4458

DRAWN
DEW

DATE
06/05/02

APPROVED

DATE

MANHOLE FRAME

PRODUCT NO.
00112014
DIPPED

CATALOG NO.
1120Z1

REF. PRODUCT DRAWING
112014

EST. WT.
FRAME: 185 LBS 83kg

OPEN AREA
N/A

MAT'L SPEC.
FRAME - GRAY IRON
ASTM A48 CL35

LOAD RATING

HEAVY DUTY