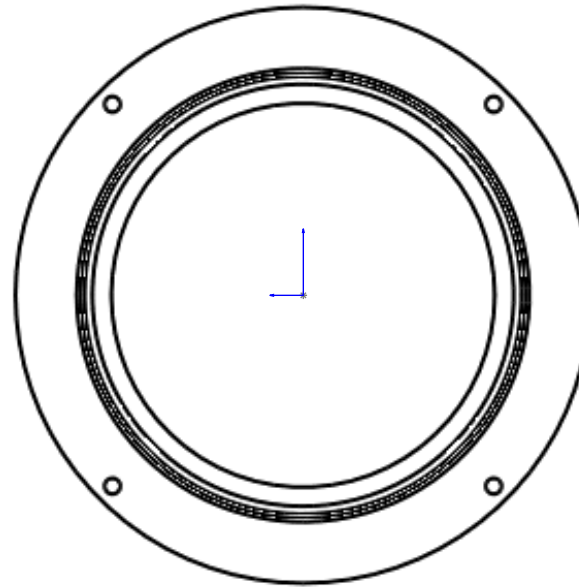
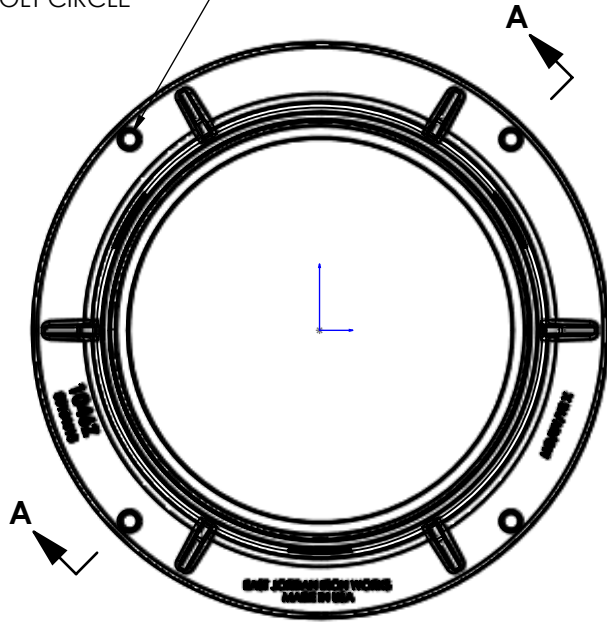
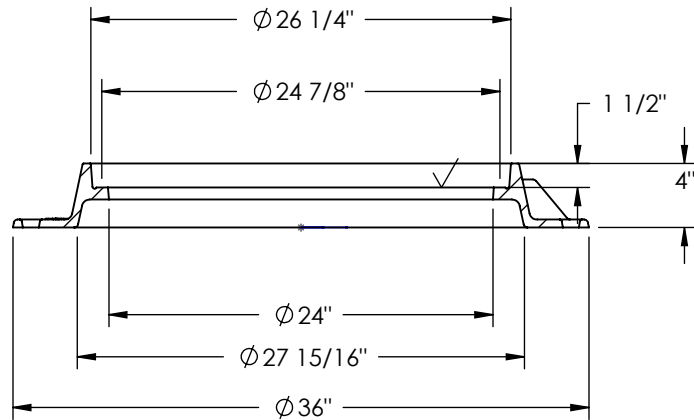


(4) \varnothing 1" HOLES EQUALLY
SPACED ON A 33 3/4" DIA.
BOLT CIRCLE



BOTTOM VIEW



SECTION A-A

CONFIDENTIAL: This drawing is the property of East Jordan Iron Works, Inc. and embodies confidential information, trade secret information, and/or know how that is the property of East Jordan Iron Works, Inc. © Copyright 2008 East Jordan Iron Works, Inc.

EJIW EAST JORDAN
IRON WORKS EST. 1883

800-626-4653
www.ejiw.com
MADE IN USA

PRODUCT NUMBER
00104610

CATALOG NUMBER
1046Z

FRAME

LOAD RATING
HEAVY DUTY

COATING
DIPPED

SPECIFICATION

FRAME - GRAY IRON
ASTM A48 CL35B

OPEN AREA
N/A

✓ DESIGNATES
MACHINED SURFACE

DRAWN SBB	DATE 10/25/01
LAST REVISED DEW	DATE 07/25/08