

PRODUCT NUMBER

00104020

CATALOG NUMBER

1040A

MANHOLE COVER

LOAD RATING

HEAVY DUTY

COATING

DIPPED

ESTIMATED WEIGHT

COVER: 145 LBS

MATERIAL SPECIFICATION

COVER - GRAY IRON
ASTM A48 CL35B

OPEN AREA

N/A

√ DESIGNATES MACHINED SURFACE

DRAWN

TCL

DATE

02/14/04

LAST REVISED

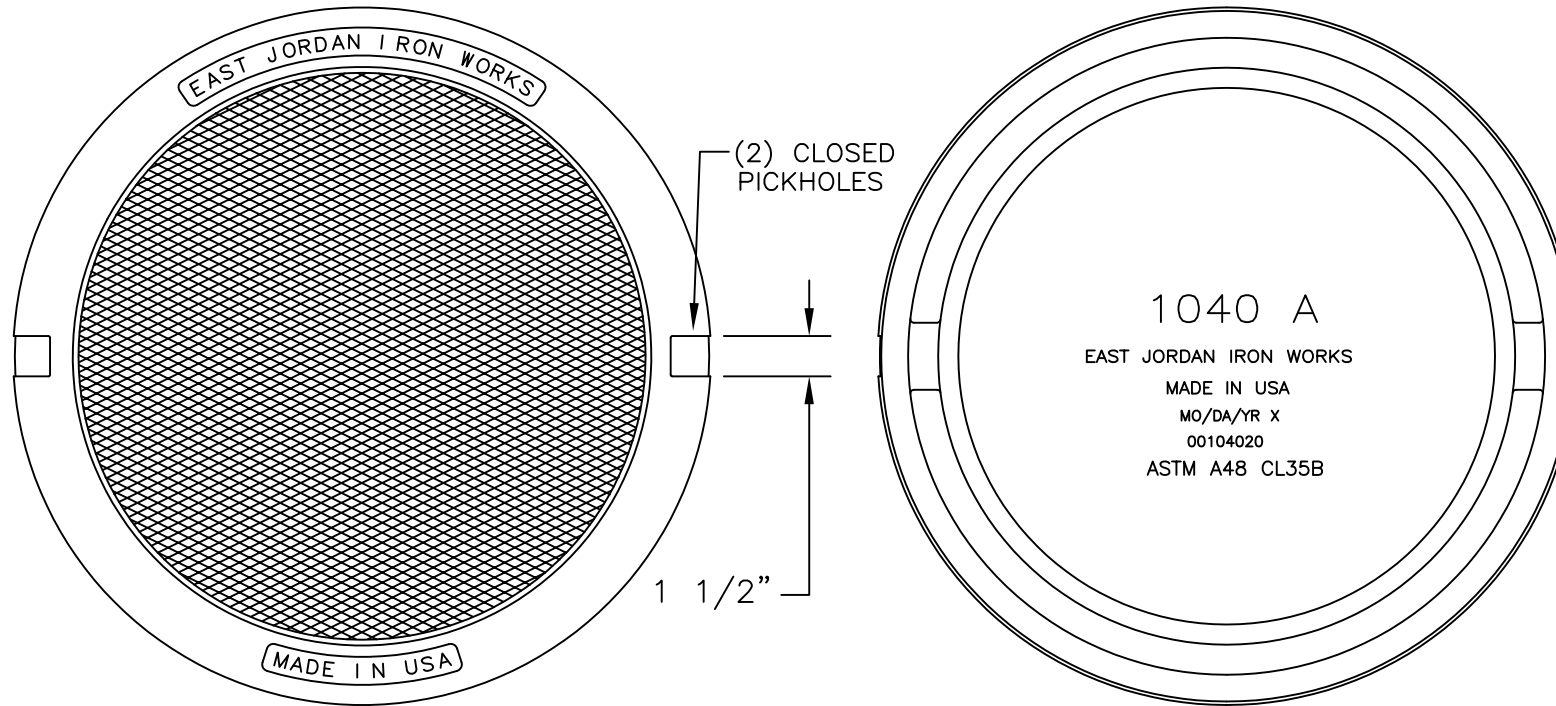
DEW

DATE

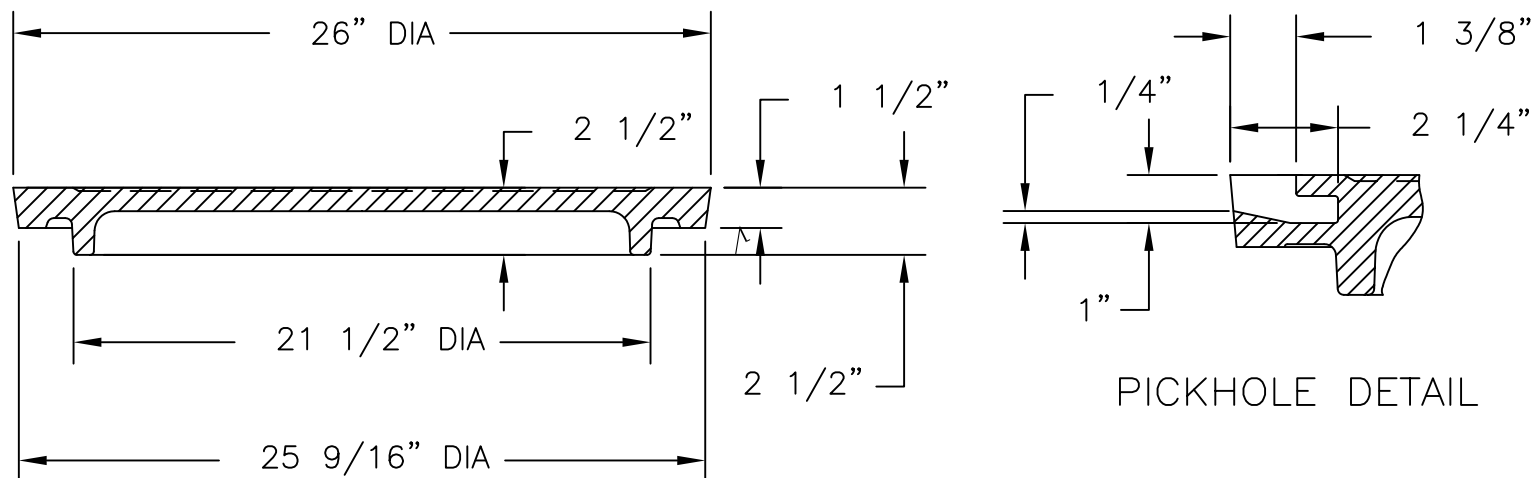
09/25/06

REFERENCE INFORMATION

00104020



BOTTOM VIEW
OF COVER



PICKHOLE DETAIL