

PRODUCT NUMBER

**00102009**

CATALOG NUMBER

**1020APT**

**1020ZPT**

**ASSEMBLY**

LOAD RATING

**HEAVY DUTY**

COATING

**DIPPED**

ESTIMATED WEIGHT

COVER: 114 LBS 52kg

FRAME: 164 LBS 75kg

UNIT: 278 LBS 126kg

MATERIAL SPECIFICATION

COVER - GRAY IRON

ASTM A48 CL35B

FRAME - GRAY IRON

ASTM A48 CL35B

OPEN AREA

N/A

✓ DESIGNATES MACHINED SURFACE

DRAWN

SBB

DATE

04/16/04

LAST REVISED

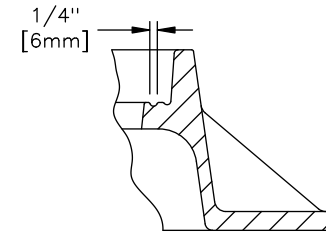
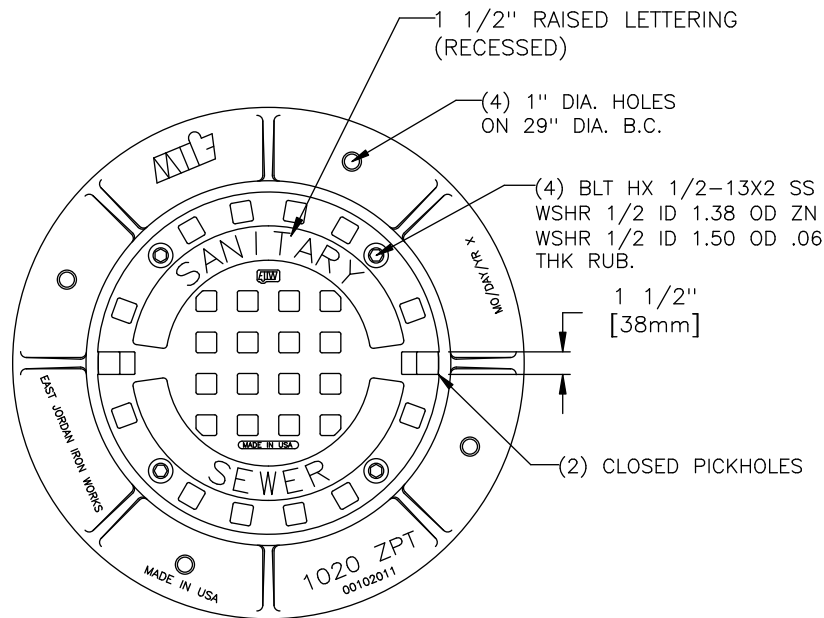
DATE

REFERENCE INFORMATION

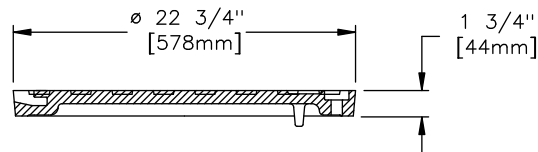
00102011 00102163

00980999 00981001

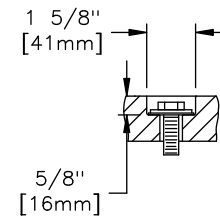
00981124 00981191



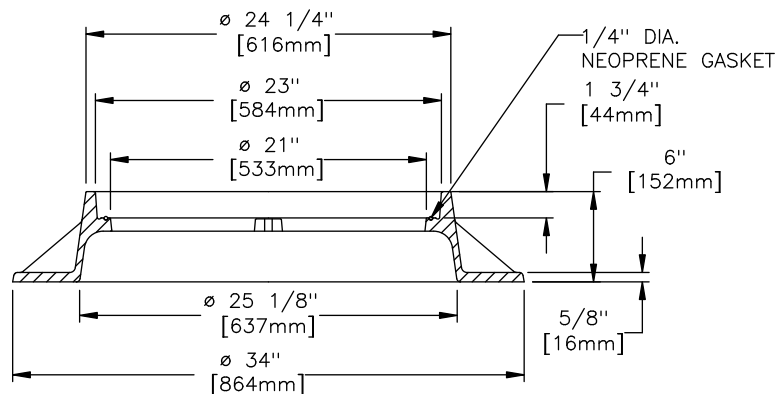
**GROOVE DETAIL**



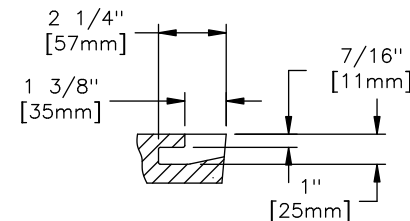
**COVER SECTION**



**BOLT DETAIL**



**FRAME SECTION**



**PICKHOLE DETAIL**