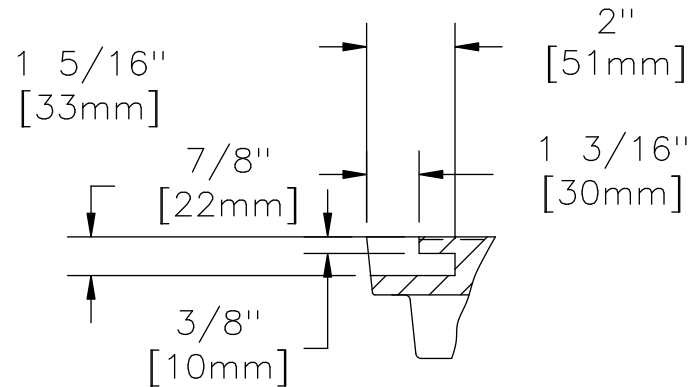
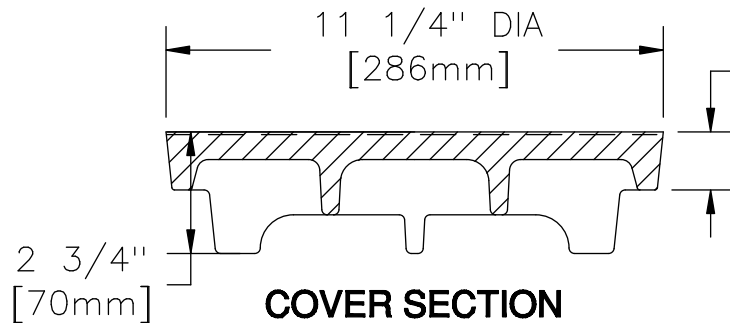


BOTTOM VIEW



PICKHOLE DETAIL

EJIW EAST JORDAN
IRON WORKS EST. 1883

800-626-4653

www.ejiw.com

MADE IN USA

PRODUCT NUMBER

00157829

CATALOG NUMBER

1578A

MANHOLE COVER

LOAD RATING

HEAVY DUTY

COATING

DIPPED

ESTIMATED WEIGHT

COVER: 25 LBS 11kg

MATERIAL SPECIFICATION

COVER - GRAY IRON
ASTM A48 CL35B

OPEN AREA
N/A

✓ DESIGNATES MACHINED
SURFACE

DRAWN

KKP

DATE

06/18/07

LAST REVISED

KKP

DATE

06/20/07

REFERENCE INFORMATION

00157824.1C

00157820.1D