

PRODUCT NUMBER

00157843

CATALOG NUMBER

1578A

MANHOLE COVER

LOAD RATING

HEAVY DUTY

COATING

DIPPED

ESTIMATED WEIGHT

COVER: 25 LBS 11kg

MATERIAL SPECIFICATION

COVER - GRAY IRON
ASTM A48 CL35B

OPEN AREA

N/A

✓ DESIGNATES MACHINED SURFACE

DRAWN
DEW

DATE
10/18/04

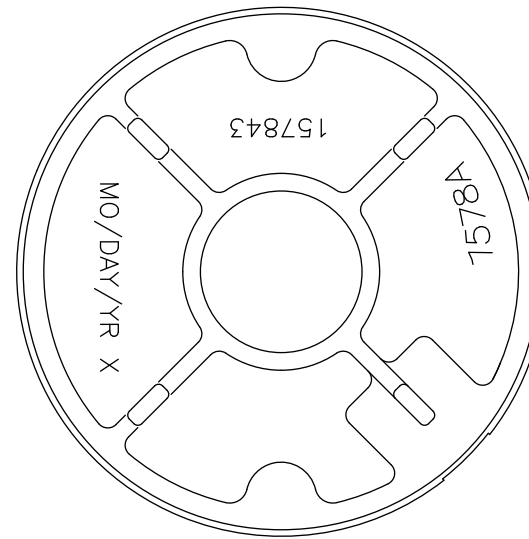
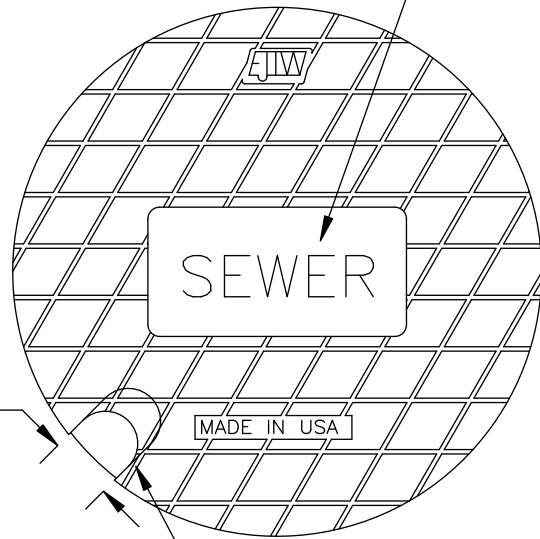
LAST REVISED
GAD

DATE
02/19/07

REFERENCE INFORMATION

00157826

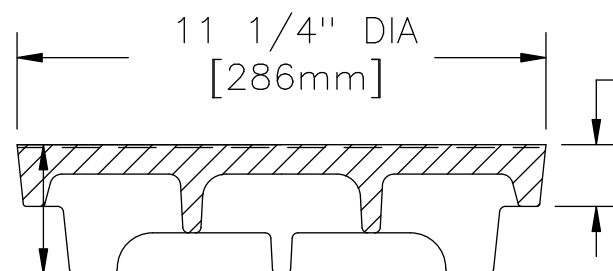
3/4" (19mm) LETTERS
(RECESSED)



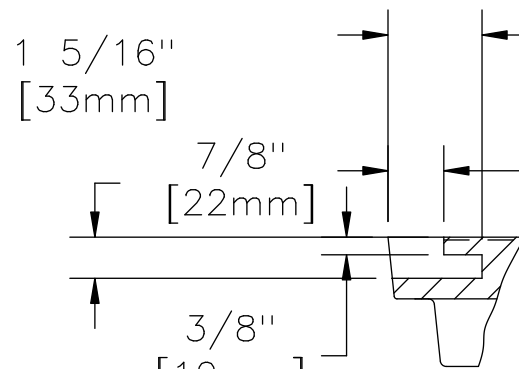
BOTTOM VIEW

1 3/8"
[35mm]

(1) CLOSED
PICKHOLE



COVER SECTION



PICKHOLE DETAIL

11 1/4" DIA
[286mm]

1 5/16"
[33mm]

2"
[51mm]

2 3/4"
[70mm]

7/8"
[22mm]

1 3/16"
[30mm]

3/8"
[10mm]