

PRODUCT NUMBER

**45667010**

CATALOG NUMBER

**V5667**

**CATCH BASIN  
FRAME**

LOAD RATING

**HEAVY DUTY**

COATING

**UNDIPPED**

ESTIMATED WEIGHT

FRAME: 211 LBS

MATERIAL SPECIFICATION

FRAME - GRAY IRON  
ASTM A48 CL35B

OPEN AREA  
N/A

√ DESIGNATES MACHINED  
SURFACE

DRAWN  
HCB

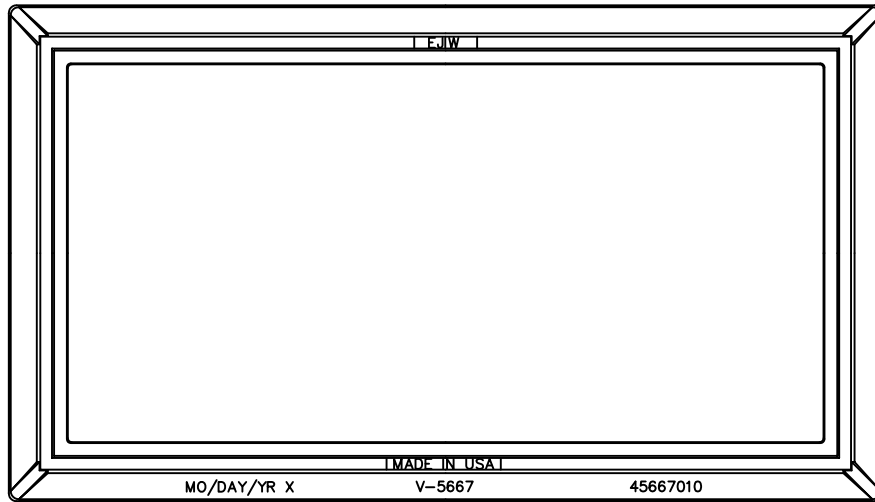
DATE  
07/19/07

LAST REVISED  
DEW

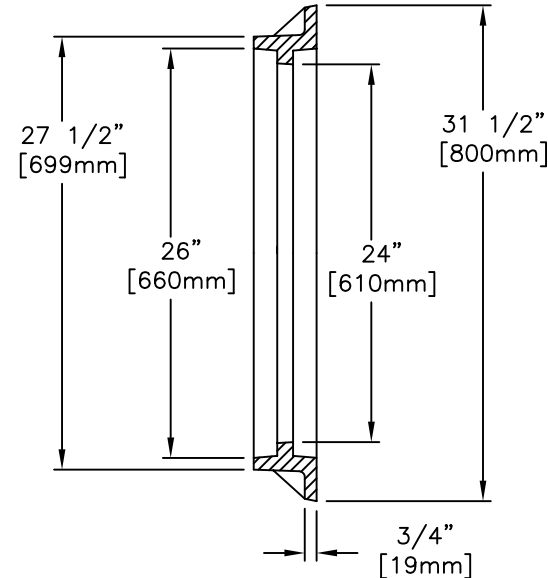
DATE  
07/22/08

REFERENCE INFORMATION

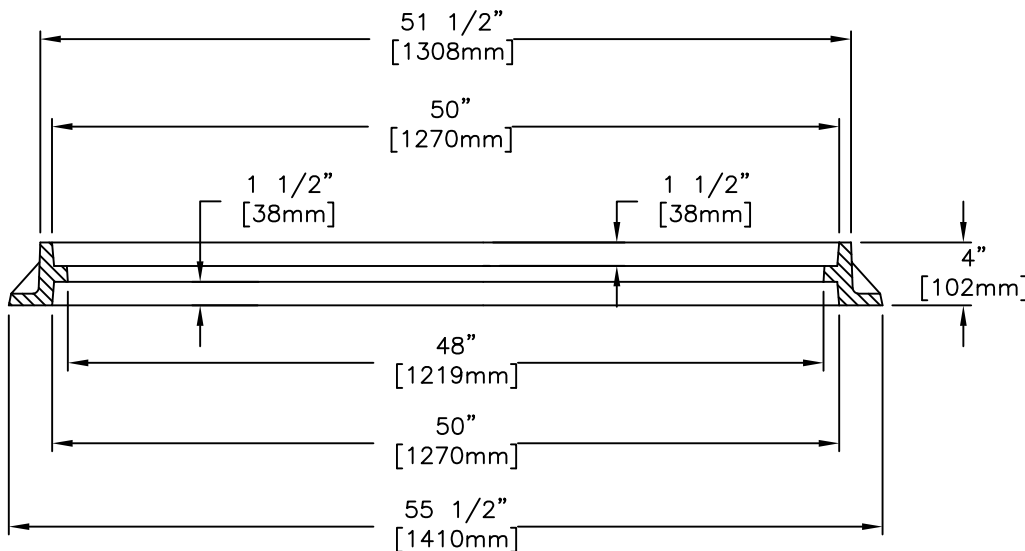
45667010.1C  
45667010.1D



FRAME TOP VIEW



FRAME SECTION



FRAME SECTION

NOTE: FRAME IS REVERSIBLE.