

PRODUCT NUMBER

**45636010**

CATALOG NUMBER

**V-5636**

**CATCH BASIN  
REVERSIBLE FRAME**

LOAD RATING

**HEAVY DUTY**

COATING

**UNDIPPED**

ESTIMATED WEIGHT

FRAME: 197 LBS 89kg

MATERIAL SPECIFICATION

FRAME - GRAY IRON  
ASTM A48 CL35B

OPEN AREA

√ DESIGNATES MACHINED  
SURFACE

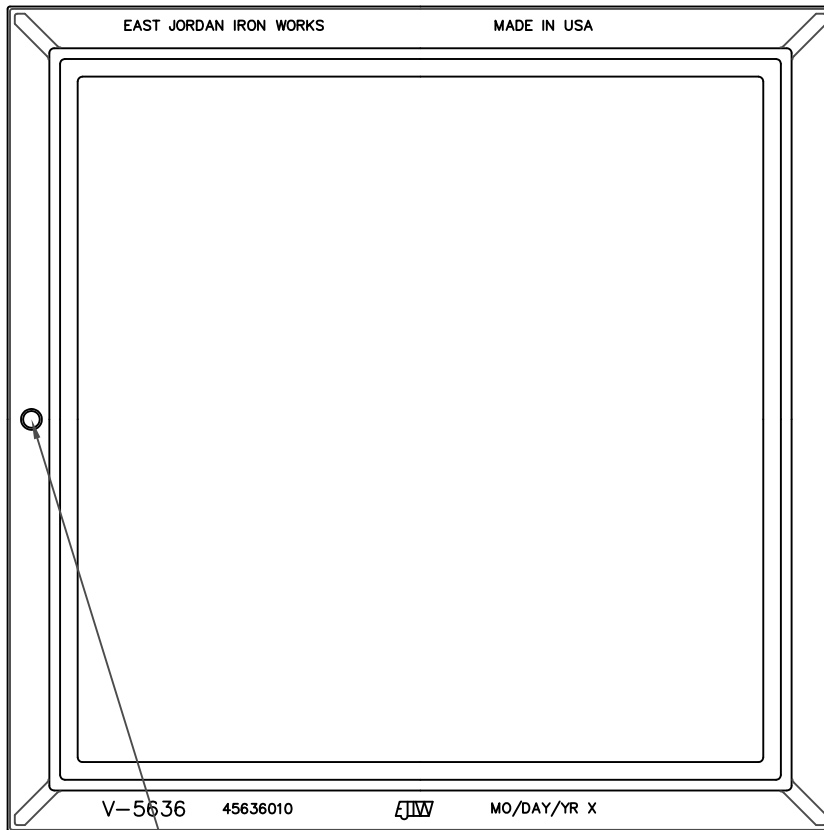
DRAWN  
SBB

DATE  
10/05/06

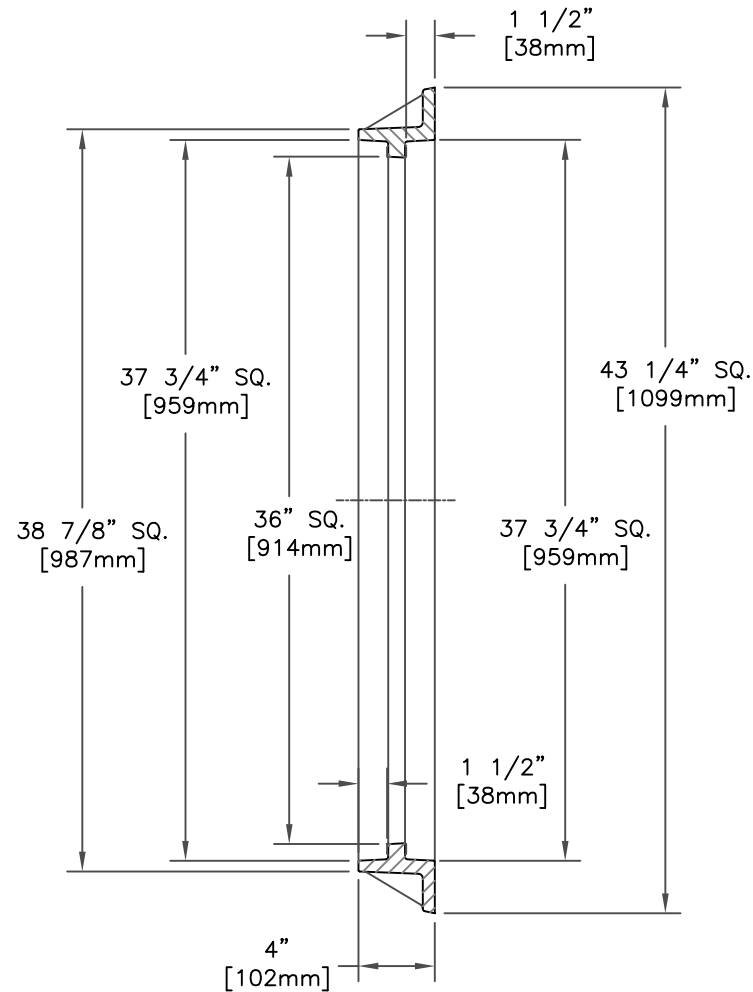
LAST REVISED  
DAL

DATE  
03/02/07

REFERENCE INFORMATION



(1) 7/8" (22mm) DIA  
HANDLING HOLE



FRAME SECTION

NOTE: FRAME IS REVERSIBLE,  
FOR BOTTOM FLANGE ORDER  
NO. V-5636, FOR TOP FLANGE  
ORDER NO. V-5836.