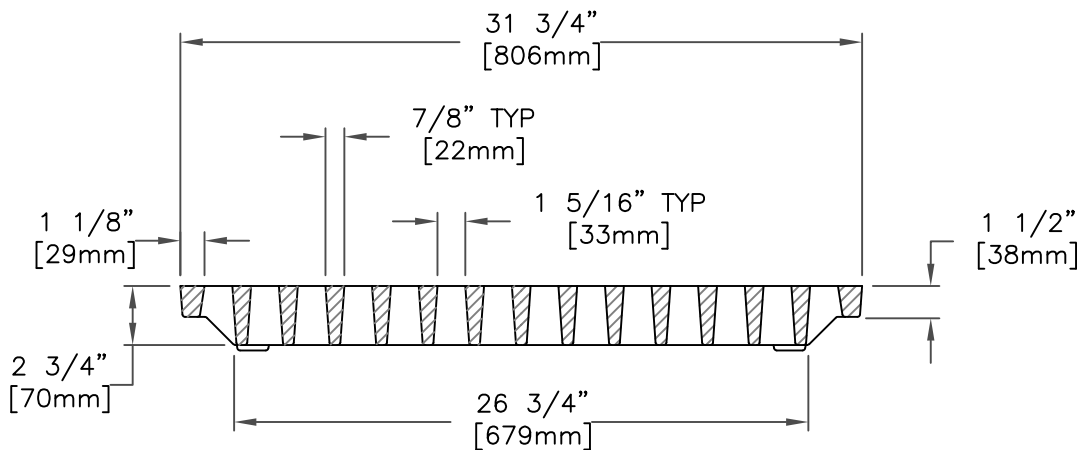


GRATE SECTION



GRATE SECTION

EJIW EAST JORDAN
IRON WORKS EST.1883
800-626-4653
www.ejiw.com
MADE IN USA

PRODUCT NUMBER

45630030

CATALOG NUMBER

V-5630

GRATE

LOAD RATING

HEAVY DUTY

COATING

UNDIPPED

ESTIMATED WEIGHT

GRATE: 273 LBS

MATERIAL SPECIFICATION

GRATE - GRAY IRON
ASTM A48 CL35B

OPEN AREA

474 SQ. IN.

√ DESIGNATES MACHINED SURFACE

DRAWN

DEW

DATE

12/01/04

LAST REVISED

GAD

DATE

10/08/07

REFERENCE INFORMATION

45630030