

PRODUCT NUMBER

**45626210**

CATALOG NUMBER

**V5626-2**

**MANHOLE FRAME**

LOAD RATING

**HEAVY DUTY**

COATING

**UNDIPPED**

ESTIMATED WEIGHT

FRAME: 252 LBS

MATERIAL SPECIFICATION

FRAME - GRAY IRON  
ASTM A48 CL30B

OPEN AREA  
N/A

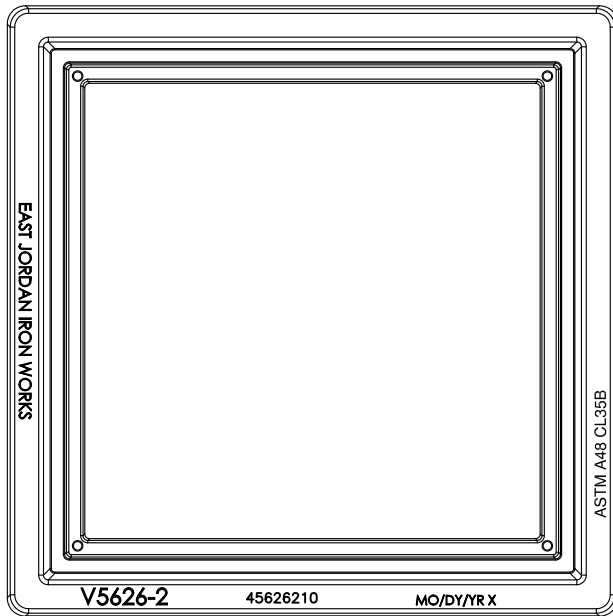
√ DESIGNATES MACHINED SURFACE

DRAWN SBB	DATE 08/26/04
--------------	------------------

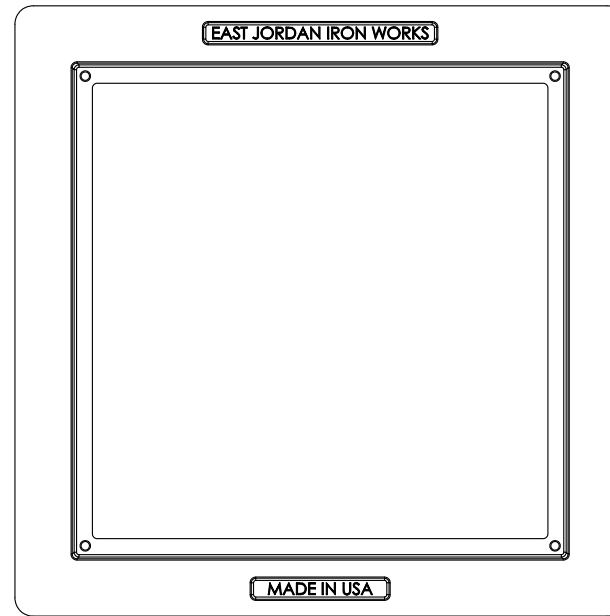
LAST REVISED DAL	DATE 05/19/08
---------------------	------------------

REFERENCE INFORMATION

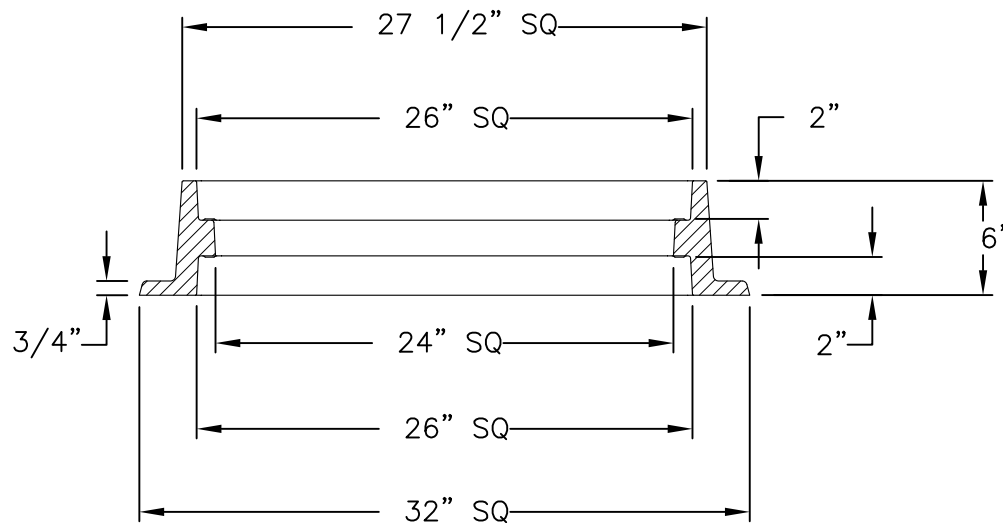
45626210.1C  
45626210.1D



BOTTOM FLANGE VIEW



TOP FLANGE VIEW



FRAME SECTION