

PRODUCT NUMBER
45626110

CATALOG NUMBER
V5626-1

**CATCH BASIN
FRAME**

LOAD RATING
HEAVY DUTY

COATING
UNDIPPED

MATERIAL SPECIFICATION

FRAME - GRAY IRON
ASTM A48 CL30B

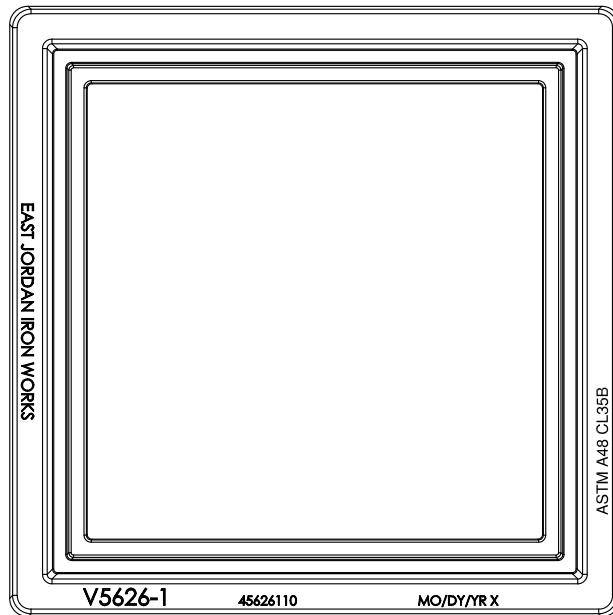
OPEN AREA
N/A

√ DESIGNATES MACHINED
SURFACE

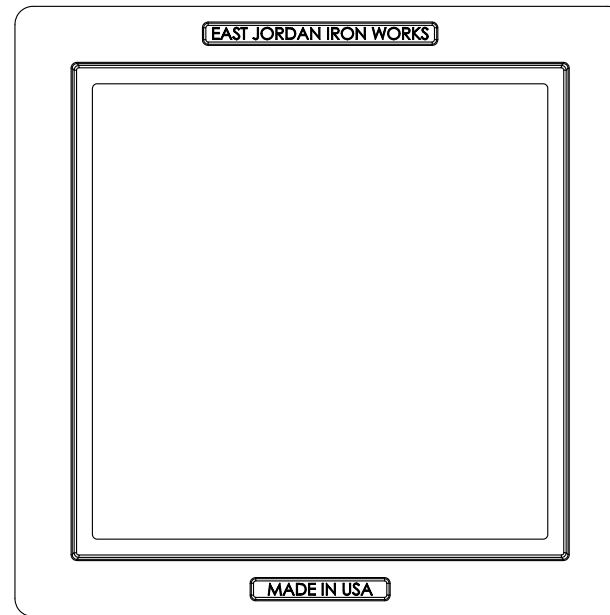
DRAWN SBB	DATE 08/26/04
--------------	------------------

LAST REVISED DEW	DATE 06/18/07
---------------------	------------------

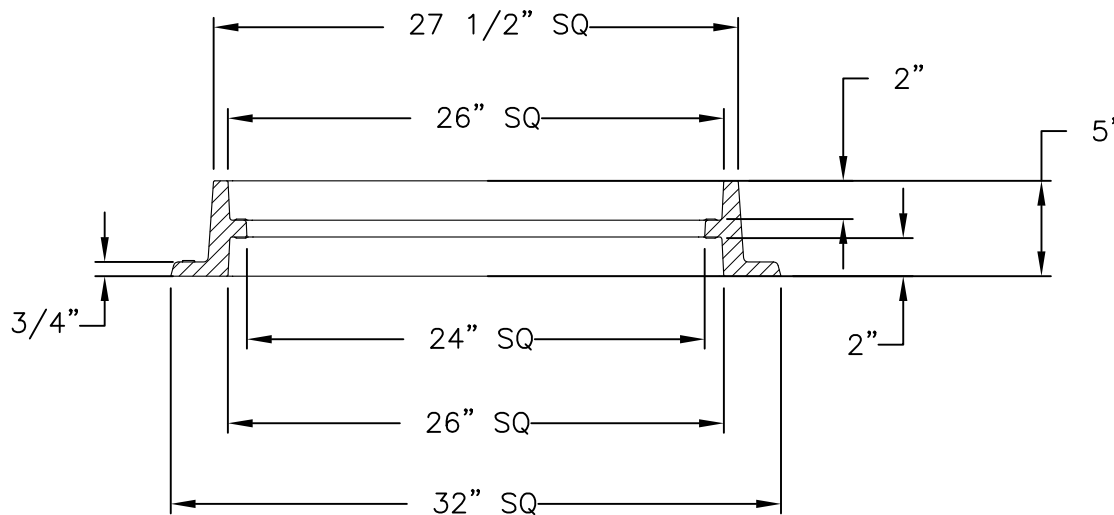
REFERENCE INFORMATION



BOTTOM FLANGE VIEW



TOP FLANGE VIEW



FRAME SECTION