

PRODUCT NUMBER  
**45624010**

CATALOG NUMBER  
**V-5624**

**CATCH BASIN  
REV. FRAME**

LOAD RATING  
**HEAVY DUTY**

COATING  
**UNDIPPED**

ESTIMATED WEIGHT  
FRAME: 140 LBS 63kg

MATERIAL SPECIFICATION  
FRAME - GRAY IRON  
ASTM A48 CL35B

OPEN AREA  
N/A

√ DESIGNATES MACHINED  
SURFACE

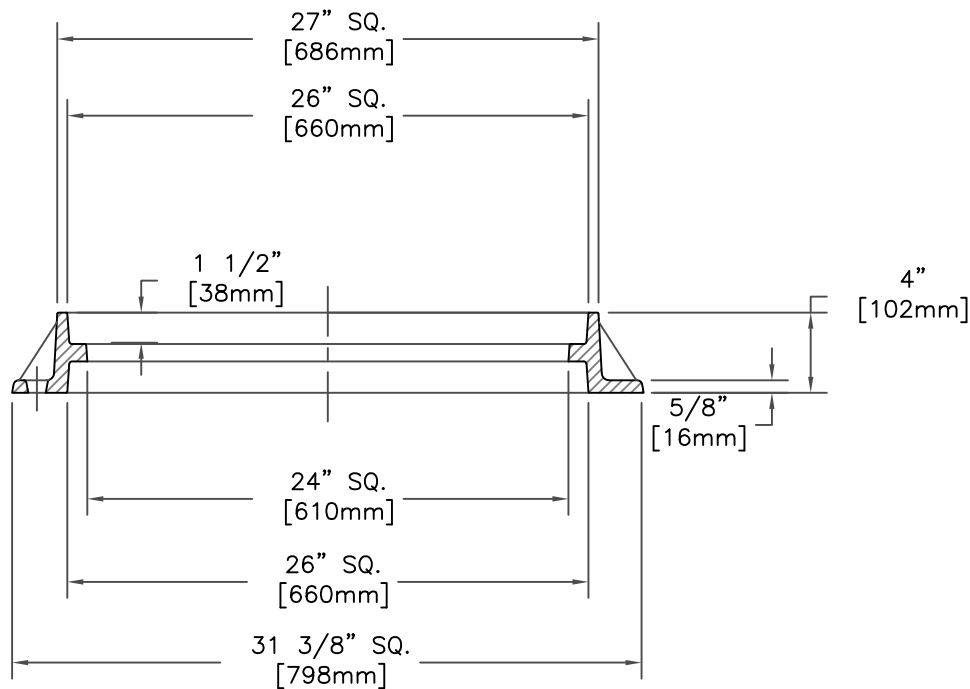
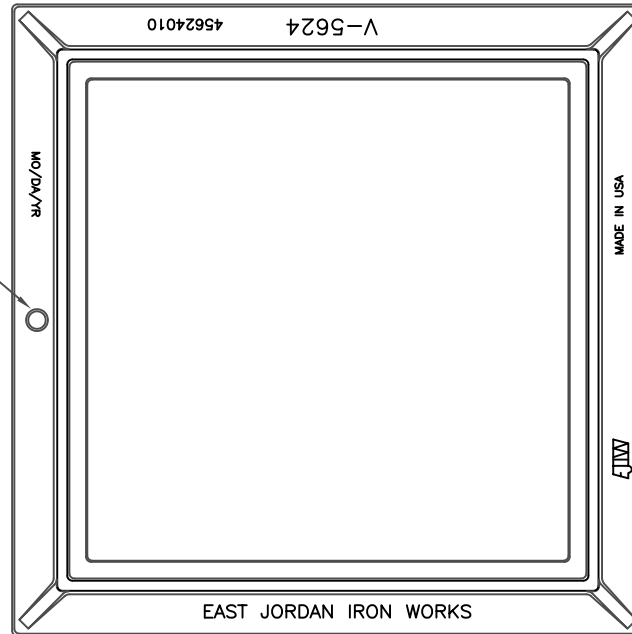
DRAWN SBB	DATE 04/14/03
--------------	------------------

LAST REVISED GAD	DATE 04/24/07
---------------------	------------------

REFERENCE INFORMATION

**45624010.1D**  
**45624010.1C**

7/8" [22mm] DIA  
HANDLING HOLE



**FRAME SECTION**