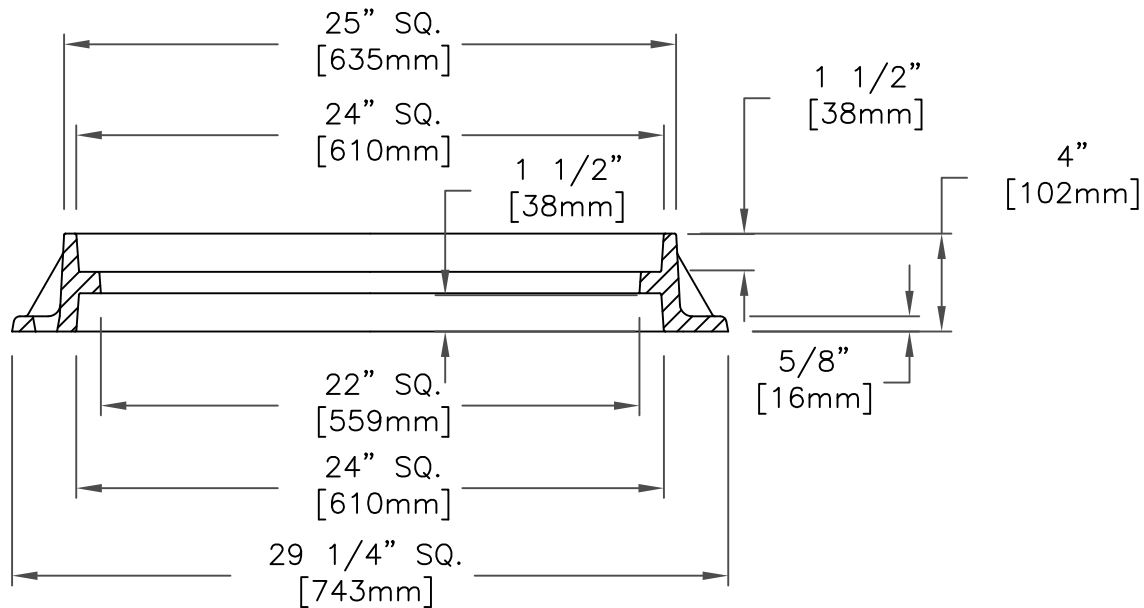


7/8" (22mm) DIA
LIFT HOLE



FRAME SECTION

NOTE:
FRAME IS REVERSIBLE
BOTTOM FLANGE V-5622
TOP FLANGE V-5822

EAST JORDAN
IRON WORKS, INC.

P.O. BOX 439
EAST JORDAN, MI. 49727
1-800-874-4100
FAX 231-536-4458

DRAWN
PFB

DATE
08/09/00

APPROVED

DATE

CATCH BASIN
FRAME

PRODUCT NO.
45622010
UNDIPPED

CATALOG NO.
V-5622

REF. PRODUCT DRAWING
45622010

EST. WT.
FRAME: 120 LBS 54kg

OPEN AREA
N/A

MAT'L SPEC.
FRAME - GRAY IRON
ASTM A48 CL35

LOAD RATING
HEAVY DUTY