

PRODUCT NUMBER

45324111

CATALOG NUMBER

V-5324-1

V-5324-1 FRAME

LOAD RATING

HEAVY DUTY

COATING

UNDIPPED

ESTIMATED WEIGHT

FRAME: 154 LBS

MATERIAL SPECIFICATION

FRAME - GRAY IRON
ASTM A48 CL35B

OPEN AREA
N/A

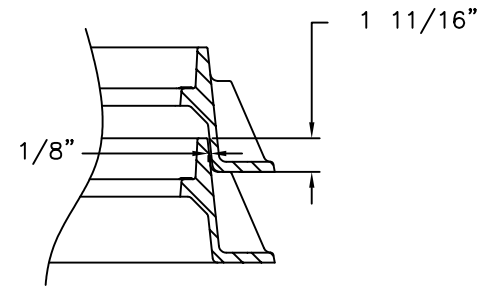
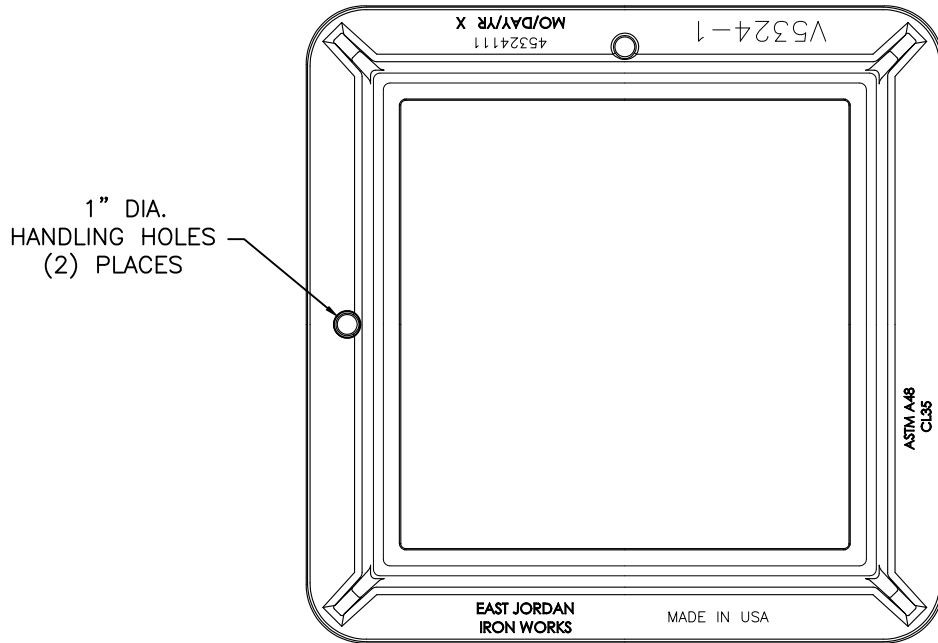
√ DESIGNATES MACHINED
SURFACE

DRAWN DEW	DATE 12/04/03
--------------	------------------

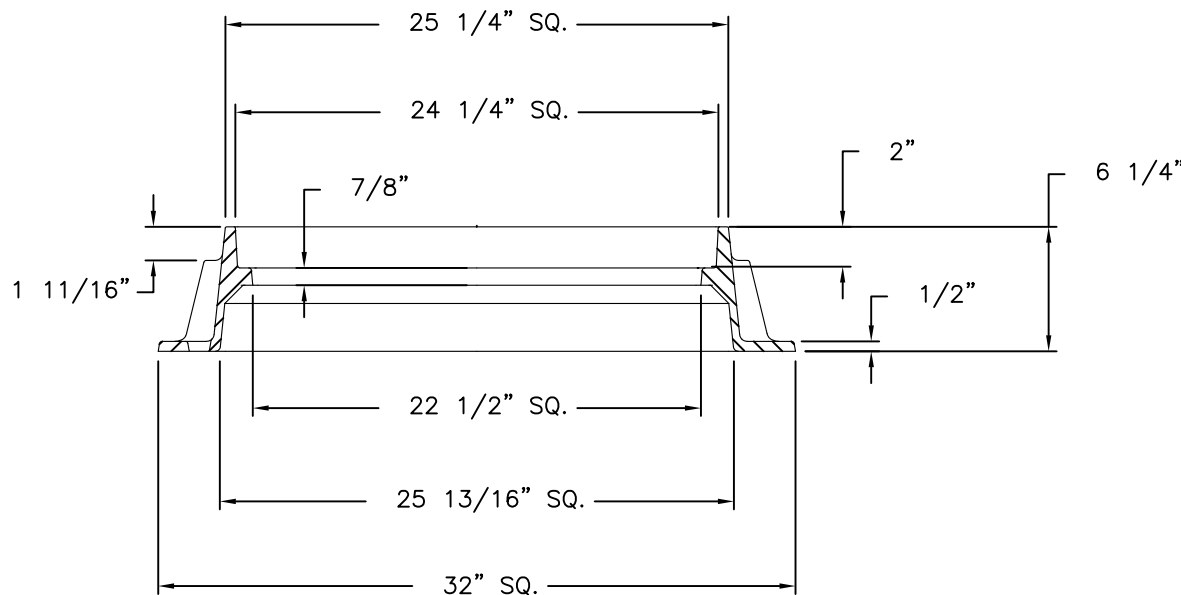
LAST REVISED JJD	DATE 06/10/08
---------------------	------------------

REFERENCE INFORMATION

45324111.1C
45324111.1D



STACK DETAIL



SECTION