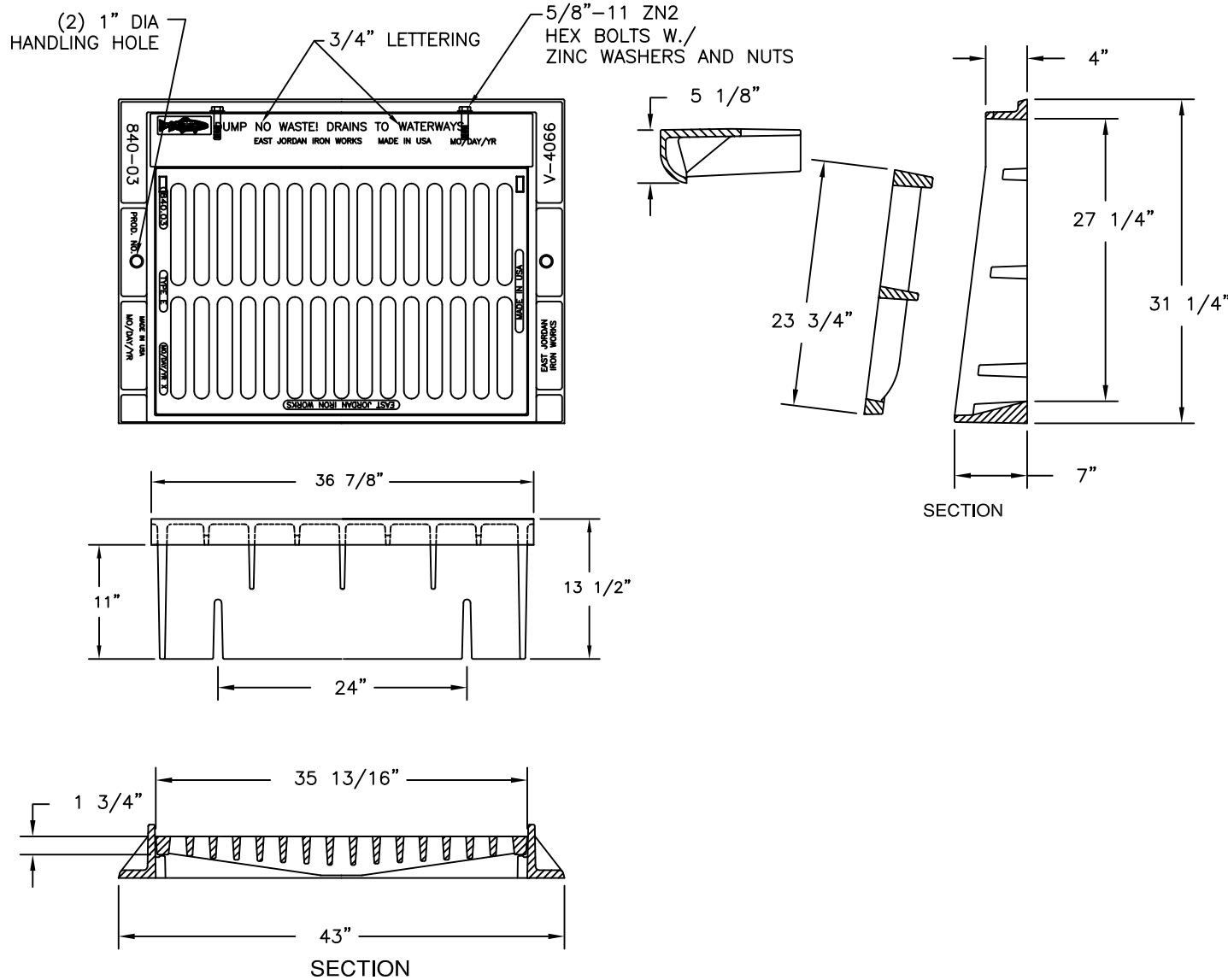


# V4066 FR / V4066 HD / V4066-1 GR ASSY



## PRODUCT NUMBER

44066130B01

## DESIGN FEATURES

### MATERIALS

GRATE-GRAY IRON  
 ASTM A48 CL35B  
 BACK-GRAY IRON  
 ASTM A48 CL35B  
 FRAME-GRAY IRON  
 ASTM A48 CL35B

**DESIGN LOAD**  
 HEAVY DUTY

**COATING**  
 UNDIPPED

**OPEN AREA**  
 435 SQ IN

✓ DESIGNATES MACHINED SURFACE

### ESTIMATED WT:

GRATE: 226 LBS  
 BACK: 135 LBS  
 FRAME: 207 LBS  
 UNIT: 568 LBS

## SPECIAL FEATURES

## ALTERNATE OPTIONS

## REFERENCE INFORMATION

44066130  
 44066063  
 44066010

## DRAWING DETAILS

ORIGINAL DRAWING: GAD 04/15/09

REVISED BY: GAD 01/12/10

NCDOT 840.03 TYPE E

Corporate  
 Headquarters  
 301 Spring Street  
 PO Box 439  
 East Jordan, MI  
 49727-0439  
 800.874.4100



Call Today for  
 More Information

800.626.4653

**EJIW EAST JORDAN**  
 IRON WORKS EST. 1883  
 WE COVER YOUR INFRASTRUCTURE

[www.ejiw.com](http://www.ejiw.com)  
 MADE IN THE USA

- Weights (lbs./kg.) dimensions (inches/mm.), and drawings provided for your guidance.
- We reserve the right to modify specifications without prior notice.
- Uncontrolled distribution.

CONFIDENTIAL: This drawing is the property of East Jordan Iron works, Inc., and embodies confidential information, registered marks, trade secret information, and/or know how that is the property of East Jordan Iron Works, Inc. ©Copyright 2009 East Jordan Iron Works, Inc.