

PRODUCT NUMBER

00704502

CATALOG NUMBER

**7045M1
7045Z & 7050T1**

SINUSOIDAL
CATCH BASIN
ASSEMBLY

LOAD RATING

HEAVY DUTY

COATING

DIPPED

ESTIMATED WEIGHT

GRATE: 141 LBS 64kg
FRAME: 285lbs 129kg
BACK: 75lbs 34kg
ASSY: 501lbs 227kg

MATERIAL SPECIFICATION

GRATE - GRAY IRON
ASTM A48 CL35B
FRAME - GRAY IRON
ASTM A48 CL35B
BACK - GRAY IRON
ASTM A48 CL35B

OPEN AREA

156 SQ. IN. 792 SQ. CM

√ DESIGNATES MACHINED
SURFACE

DRAWN
DEW

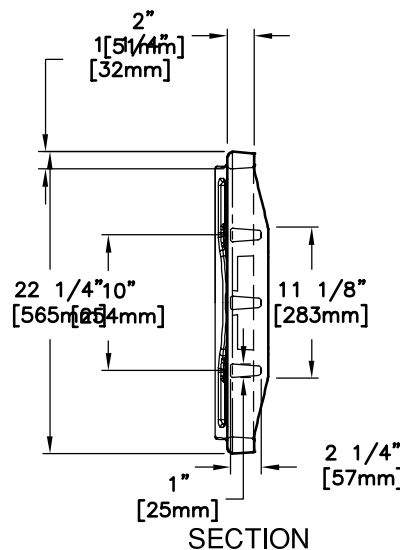
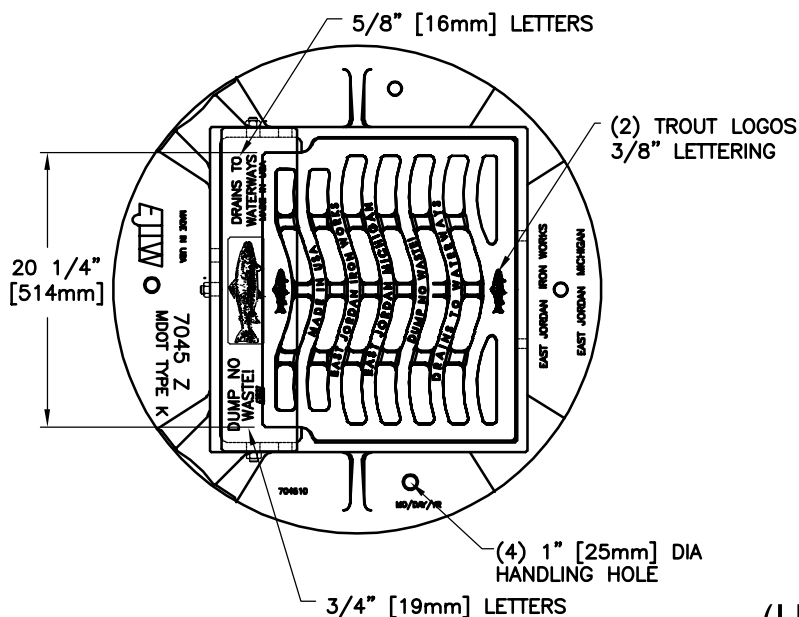
DATE
08/17/06

LAST REVISED

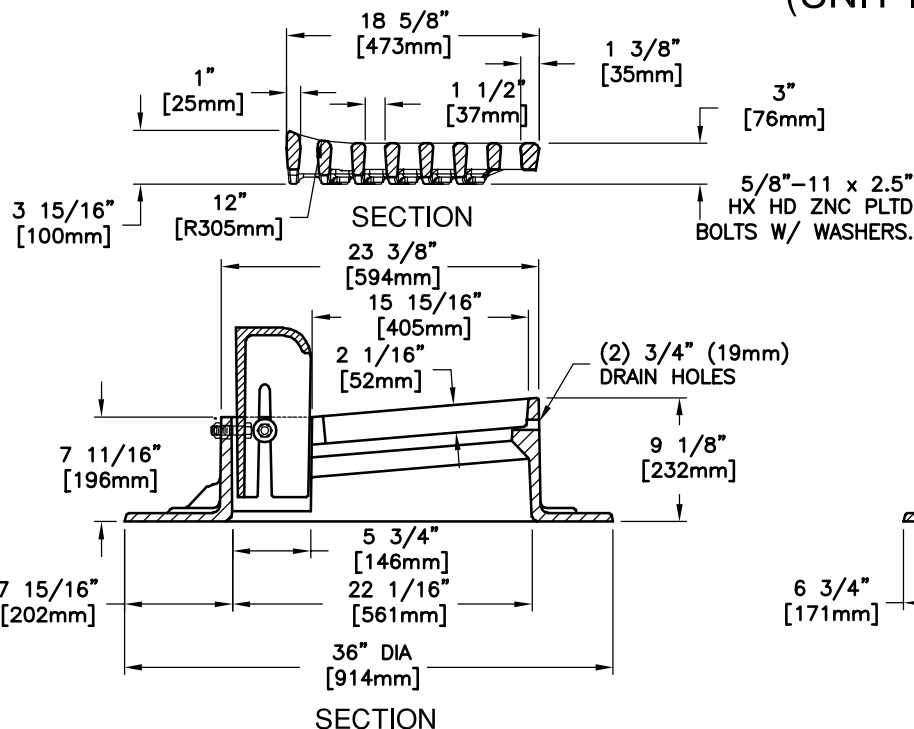
DATE

REFERENCE INFORMATION

**704510 & 705064
704530**



**COMPONENT PARTS
(UNIT IS NOT ASSEMBLED)**



CURB ADJUSTABLE FROM
4" TO 10"
(102mm TO 254mm)

