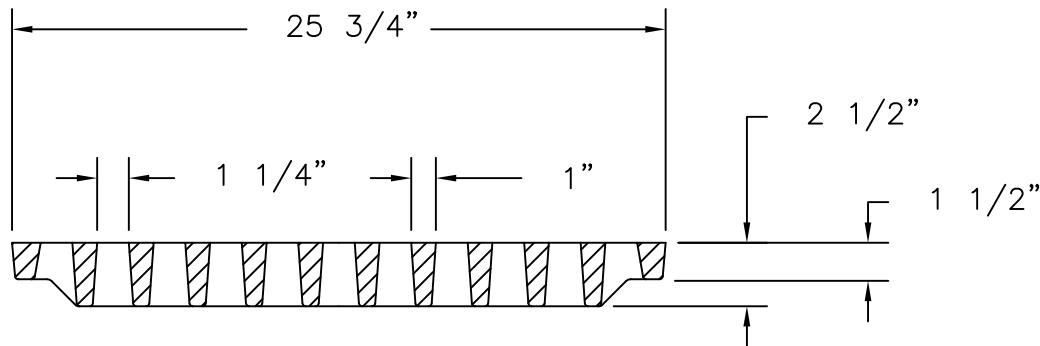


GRATE SECTION



GRATE SECTION

**EJIW EAST JORDAN**  
IRON WORKS EST.1883

800-626-4653  
www.ejiw.com  
MADE IN USA

PRODUCT NUMBER

**45624030**

CATALOG NUMBER

**5624M**

**CATCH BASIN  
GRATE**

LOAD RATING

**HEAVY DUTY**

COATING

**UNDIPPED**

ESTIMATED WEIGHT

GRATE: 163 LBS

MATERIAL SPECIFICATION

GRATE - GRAY IRON  
ASTM A48 CL35B

OPEN AREA

295 SQ INCHES

√ DESIGNATES MACHINED  
SURFACE

DRAWN

SBB

DATE

04/14/03

LAST REVISED

JJD

DATE

06/20/08

REFERENCE INFORMATION

45624030.1D

45624030.2C