

**EAST JORDAN
IRON WORKS, INC.**
P.O. BOX 439
EAST JORDAN, MI. 49727
1-800-874-4100
FAX 231-536-4458

DRAWN DEW	DATE 04/23/01
--------------	------------------

APPROVED	DATE
----------	------

CATCH BASIN
FRAME

PRODUCT NO.

00542411

CATALOG NO.

5424Z

REF. PRODUCT DRAWING

00542411

EST. WT.

FRAME: 55 LBS 25kg

OPEN AREA

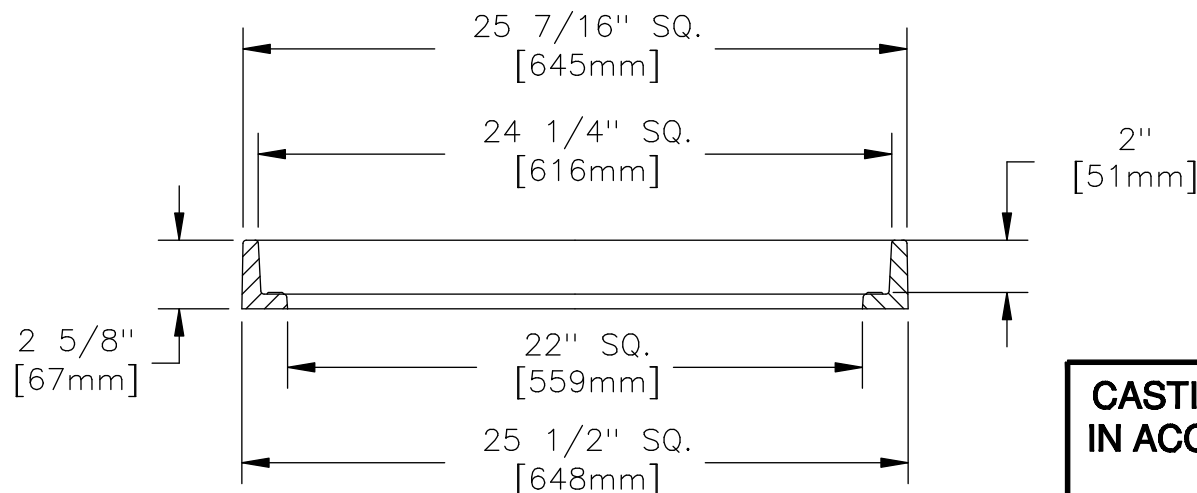
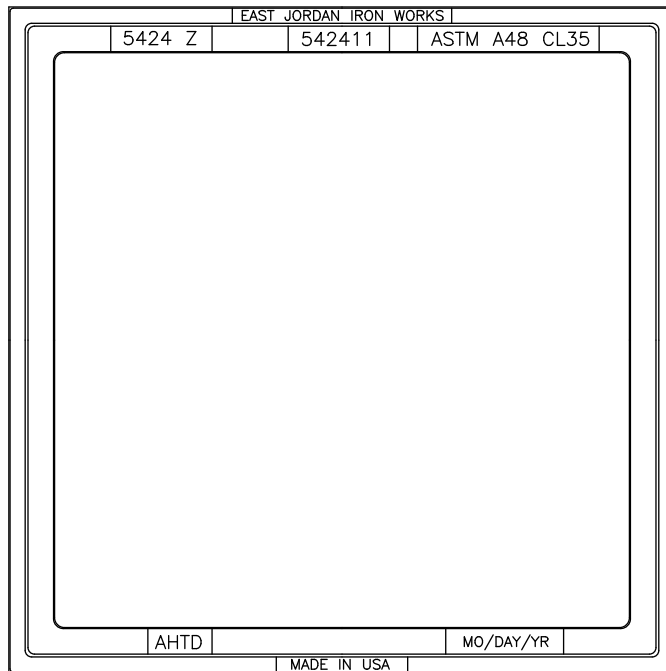
N/A

MAT'L SPEC.

FRAME - GRAY IRON
ASTM A48 CL35

LOAD RATING

HEAVY DUTY



SECTION

**CASTINGS PRODUCED
IN ACCORDANCE WITH:**

**AASHTO M105
CLASS 35B**