

EJIW EAST JORDAN
IRON WORKS EST. 1883

800-626-4653

www.ejiw.com

MADE IN USA

PRODUCT NUMBER

00542431

CATALOG NUMBER

5424M

**CATCH BASIN
GRATE**

LOAD RATING

HEAVY DUTY

COATING

UNDIPPED

ESTIMATED WEIGHT

GRATE: 165 LBS

MATERIAL SPECIFICATION

COVER - GRAY IRON
ASTM A48 CL35B

OPEN AREA

122 SQ. INCHES 787 SQ. CM

✓ DESIGNATES MACHINED
SURFACE

DRAWN

DEW

DATE

04/24/01

LAST REVISED

DEW

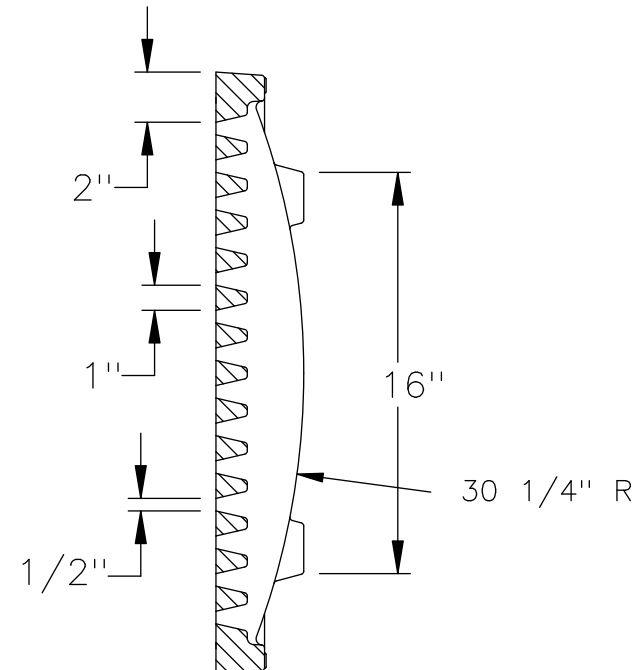
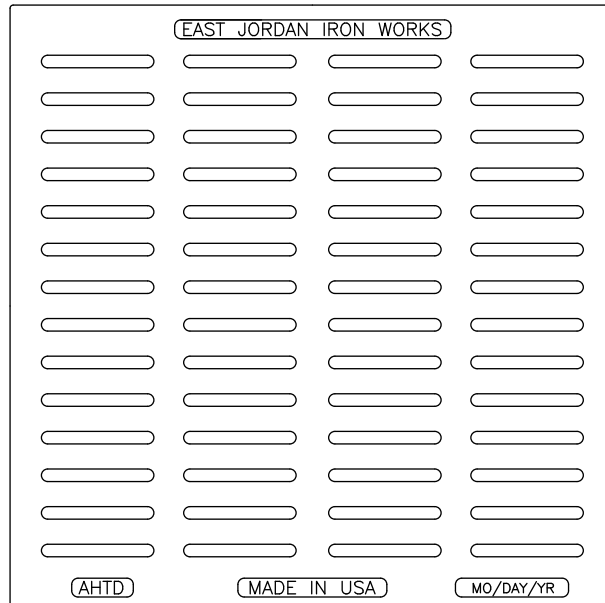
DATE

06/25/07

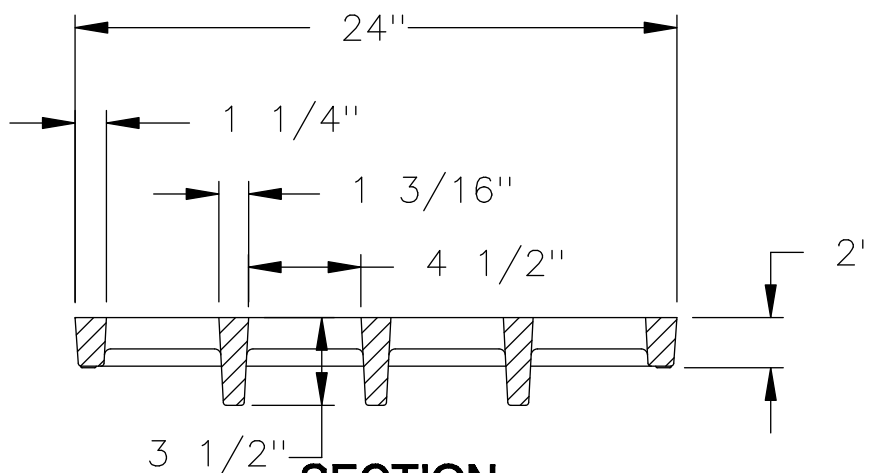
REFERENCE INFORMATION

00542431.1C

00542431.1D



SECTION



SECTION

**CASTINGS PRODUCED
IN ACCORDANCE WITH:**

**AASHTO M105
CLASS 35B**

CONFIDENTIAL: This drawing is the property of East Jordan Iron Works, Inc. and embodies confidential information, trade secret information, and/or know how that is the property of East Jordan Iron Works, Inc. © Copyright 2007 East Jordan Iron Works, Inc.