

PRODUCT NUMBER

00542031

CATALOG NUMBER

5420M VDOT

**VDOT DI-1
5420M GRATE**

LOAD RATING
HEAVY DUTY

COATING
UNDIPPED

ESTIMATED WEIGHT
GRATE: 366 LBS

MATERIAL SPECIFICATION
GRATE - GRAY IRON
ASTM A48 CL35B

OPEN AREA
335 SQ. IN.

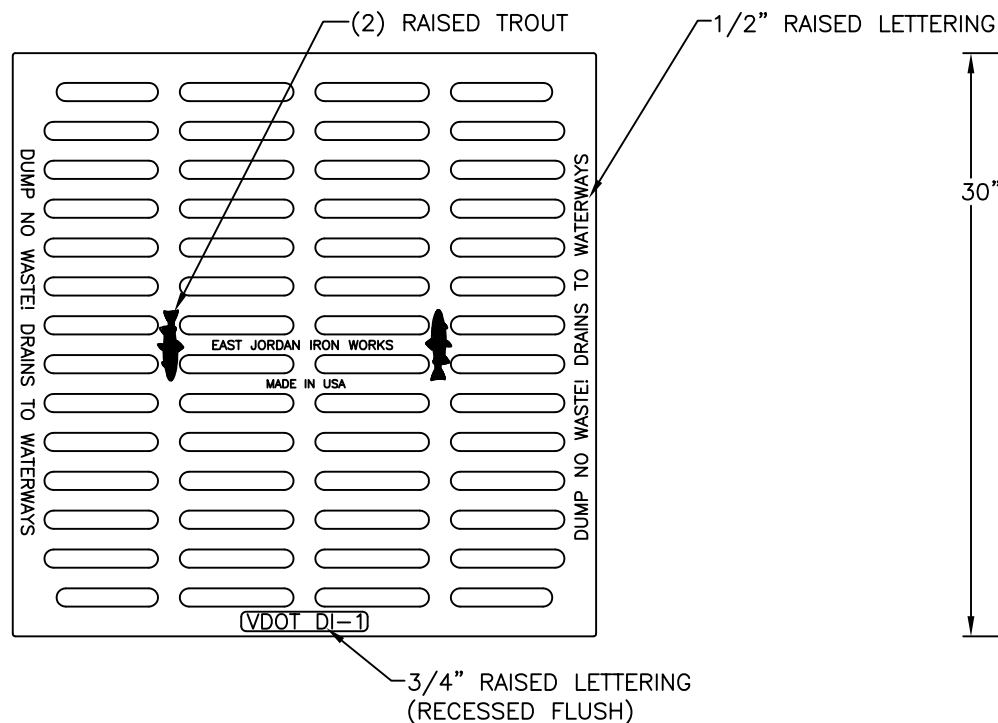
✓ DESIGNATES
MACHINED SURFACE

DRAWN JIJ	DATE 12/20/06
--------------	------------------

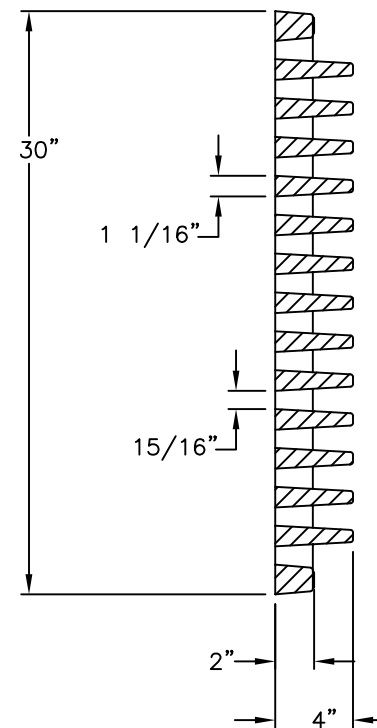
LAST REVISED	DATE
--------------	------

REFERENCE INFORMATION

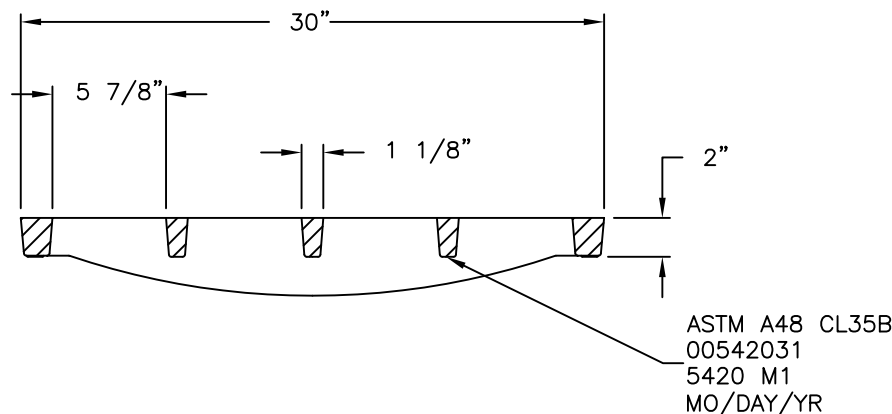
00542031.1D
00542031.1C



PLAN VIEW



GRATE SECTION



GRATE SECTION

NOTE: "DI-1" IS THE VIRGINIA D.O.T. SPECIFICATION NUMBER. CASTING IS TO BE MADE OF GRAY IRON.